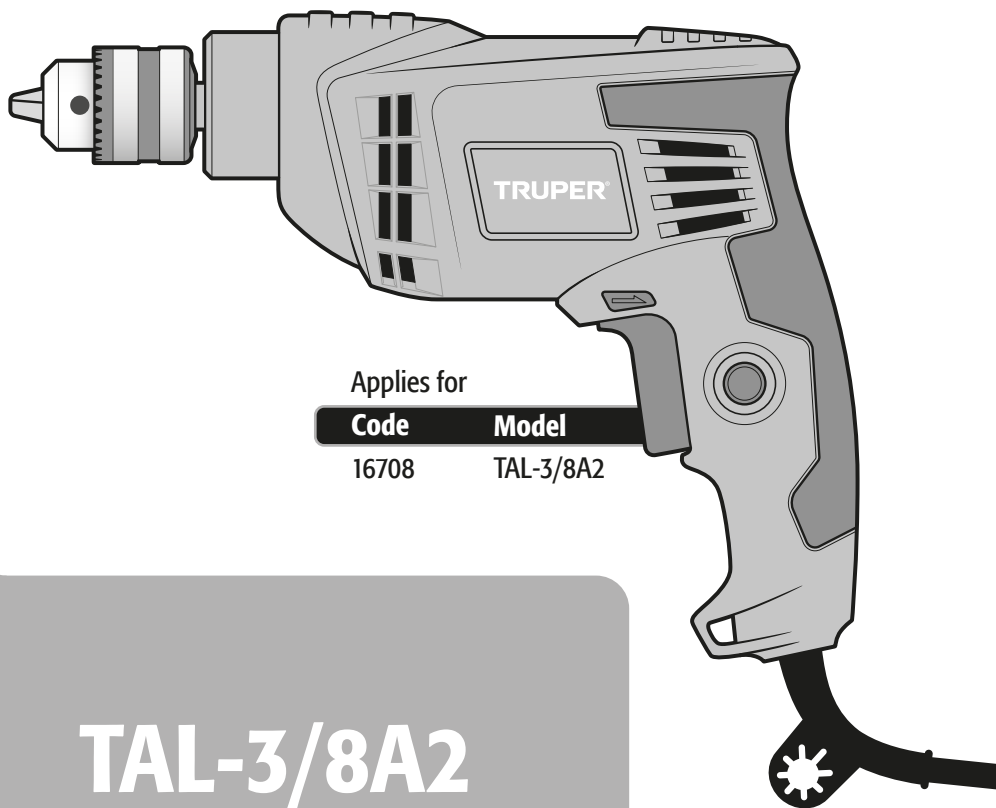


ENGLISH
ESPAÑOL

 **TRUPER®**

Manual
Drill

0.5 Hp **3/8"**
Power Chuck



Applies for

Code	Model
16708	TAL-3/8A2



TAL-3/8A2

 **CAUTION**



Read this manual thoroughly
before using the tool.



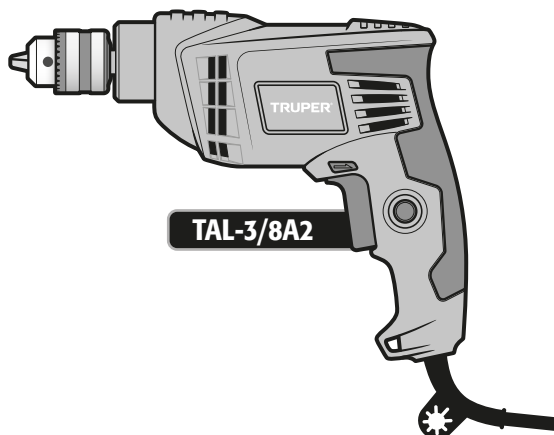
Technical Data	3
Power Requirements	3
 General power tool safety warnings	4
 Safety warnings for drills	5
Parts	6
Start Up	7
Maintenance	8
Notes	9
Authorized Service Centers	11
Warranty Policy	12

 CAUTION

To gain the best performance of the tool, prolong the duty life, make the Warranty valid if necessary, and to avoid hazards of fatal injuries please read and understand this Manual before using the tool.

Keep this manual for future references.

The illustrations in this manual are for reference only. They might be different from the real tool.



TAL-3/8A2

Code	•	16708
Description	•	Drill
Chuck	•	3/8"
Voltage	•	127 V~
Frequency	•	60 Hz
Current	•	3 A
Power	•	0.5 Hp
Speed	•	3 000 RPM
Duty Cycle	•	30 minutes work per 15 minutes idle. Maximum 3 hours per day.
Conductors	•	18 AWG x 2C with insulating temperature of 221 °F
Insulating	•	Class II
	•	IP Grade
	•	IP 20

Power Cord Grips used in this product: Type Y.
 Tool Build Quality: Reinforced insulation.
 Thermal insulation on motor winding: Class B.

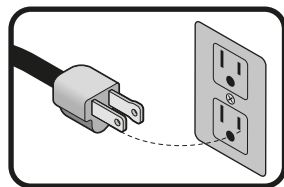
⚠ WARNING Avoid the risk of electric shock or severe injury. When the power cable gets damaged it should only be replaced by the manufacturer or at a Authorized Service Center. The build quality of the electric insulation is altered if spills or liquid gets into the tool while in use. Do not expose to rain, liquids and/or dampness.

⚠ WARNING Before gaining access to the terminals all power sources should be disconnected.



Power Requirements

⚠ WARNING Tools with double insulation and reinforced insulation are equipped with a polarized plug (one prong is wider than the other). This plug will only fit in the right way into a polarized outlet. If the plug cannot be introduced into the outlet, reverse the plug. If it still doesn't fit, call a qualified electrician to install for you a polarized outlet. Do not alter the plug in any way. Both insulation types eliminate the need of both a grounded third power cord with three prongs or a grounded power connection.



⚠ WARNING When using an extension cable, verify the gauge is enough for the power that your product needs. A lower gauge cable will cause voltage drop in the line, resulting in power loss and overheating. The following table shows the right size to use depending on cable's length and the ampere capability shown in the tool's nameplate. When in doubt use the next higher gauge.

Ampere Capacity	Number of Conductors	Extension gauge	
		from 6' to 49'	higher than 49'
from 0 A and up to 10 A	3 (one grounded)	18 AWG(*)	16 AWG
from 10 A and up to 13 A		16 AWG	14 AWG
from 13 A and up to 15 A		14 AWG	12 AWG
from 15 A and up to 20 A		8 AWG	6 AWG

* It is safe to use only if the extensions have a built-in artifact for over current protection.

AWG = American Wire Gauge. Reference: NMX-J-195-ANCE

⚠ WARNING When operating power tools outdoors, use a grounded extension cable labeled "For Outdoors Use". These extensions are especially designed for operating outdoors and reduce the risk of electric shock.





WARNING! Read carefully all safety warnings and instructions listed below. Failure to comply with any of these warnings may result in electric shock, fire and / or severe damage. **Save all warnings and instructions for future references.**

Work area

Keep your work area clean, and well lit.

Cluttered and dark areas may cause accidents.



Never use the tool in explosive atmospheres, such as in the presence of flammable liquids, gases or dust.

Sparks generated by power tools may ignite the flammable material.



Keep children and bystanders at a safe distance while operating the tool.

Distractions may cause losing control.



Electrical Safety

The tool plug must match the power outlet. Never modify the plug in any way. Do not use any adapter plugs with grounded power tools.

Modified plugs and different power outlets increase the risk of electric shock.



Avoid body contact with grounded surfaces, such as pipes, radiators, electric ranges and refrigerators.

The risk of electric shock increases if your body is grounded.

Do not expose the tool to rain or wet conditions.

Water entering into the tool increases the risk of electric shock.

Do not force the cord. Never use the cord to carry, lift or unplug the tool. Keep the cord away from heat, oil, sharp edges or moving parts.

Damaged or entangled cords increase the risk of electric shock.

When operating a tool outdoors, use an extension cord suitable for outdoor use.

Using an adequate outdoor extension cord reduces the risk of electric shock.

If operating the tool in a damp location cannot be avoided, use a ground fault circuit interrupter (GFCI) protected supply.

Using a GFCI reduces the risk of electric shock.

Personal safety

Stay alert, watch what you are doing and use common sense when operating a tool. Do not use a power tool while you are tired or under the influence of drugs, alcohol or medication.

A moment of distraction while operating the tool may result in personal injury.

Use personal protective equipment. Always wear eye protection.

Protective equipment such as safety glasses, anti-dust mask, non-skid shoes, hard hats and hearing protection used in the right conditions significantly reduce personal injury.



Prevent unintentional starting up. Ensure the switch is in the "OFF" position before connecting into the power source and / or battery as well as when carrying the tool.

Transporting power tools with the finger on the switch or connecting power tools with the switch in the "ON" position may cause accidents.

Remove any wrench or vice before turning the power tool on.

Wrenches or vices left attached to rotating parts of the tool may result in personal injury.

Do not overreach. Keep proper footing and balance at all times.

This enables a better control on the tool during unexpected situations.

Dress properly. Do not wear loose clothing or jewelry. Keep hair, clothes and gloves away from the moving parts.

Loose clothes or long hair may get caught in moving parts.



If you have dust extraction and recollection devices connected onto the tool, inspect their connections and use them correctly. Using these devices reduce dust-related risks.

Power Tools Use and Care

Do not force the tool. Use the adequate tool for your application.

The correct tool delivers a better and safer job at the rate for which it was designed.



Do not use the tool if the switch is not working properly.

Any power tool that cannot be turned ON or OFF is dangerous and should be repaired before operating.

Disconnect the tool from the power source and / or battery before making any adjustments, changing accessories or storing.

These measures reduce the risk of accidentally starting the tool.

Store tools out of the reach of children. Do not allow persons that are not familiar with the tool or its instructions to operate the tool.

Power tools are dangerous in the hands of untrained users.



Service the tool. Check the mobile parts are not misaligned or stuck. There should not be broken parts or other conditions that may affect its operation. Repair any damage before using the tool.

Most accidents are caused due to poor maintenance to the tools.



Keep the cutting accessories sharp and clean.

Cutting accessories in good working conditions are less likely to bind and are easier to control.

Use the tool, components and accessories in accordance with these instructions and the projected way to use it for the type of tool when in adequate working conditions.

Using the tool for applications different from those it was designed for, could result in a hazardous situation.

Service

Repair the tool in a TRUPER Authorized Service Center using only identical spare parts.

This will ensure that the safety of the power tool is maintained.



This tool is in compliance with the Official Mexican Standard (NOM - Norma Oficial Mexicana).

Safety warnings for drills


Choose the right bit

- **CAUTION** • Choose the right bit for the work piece. It reduces the risk of severe injury and makes the job easier.
- To work on metal or plastic, use bits suitable for metal. Sizes encompass a minimum of 0.03" (0.047" for a 0.5" chuck) and up to the chuck maximum capacity.
- On wood, use regular bits suitable for wood. In any case, to drill 0.25" or smaller orifices, use bits designed to drill on metal.
- Do not try using bits exceeding the chuck capacity.

Before using the drill

• Before starting to work with the drill, take a few minutes to assess the job to be done and double-check all the safety caution rules.


• **WARNING** • Fit the bit into the chuck. Remove the chuck wrench before drilling. Failure to follow this instruction shoots out the chuck wrench with great speed and cause severe injury.


• **DANGER** • Before drilling walls, floors or ceiling, look for any built-in objects, like power cables and conductors or pipes. 

• **DANGER** • Verify the switch is in the OFF position before connecting the drill. Otherwise, it can unexpectedly start operating and could cause severe injuries.

• **CAUTION** • Turn off and disconnect the tool before reversing the chuck's direction as well as fitting or replacing bits.

While operating the drill

• Use the auxiliary handles, if supplied with the tool. Loss of control may result in personal injury. 

• Hold the tool by the isolated parts. The cutting part of bit could come into contact with hidden wiring or with its own power cord. Making contact with a power cord causes the tool metal parts get electrified and may result in electric shock to the user. 

• Do not force the tool to excessive workloads.

• **CAUTION** • Turn off the drill immediately if the bit gets stuck into the work piece. Then, remove the bit off the work piece. Do not try removing stuck bits turning on and off the tool.

• Do not apply too much force on the tool in order to accelerate the drilling procedure. The bit could get damaged and the tool would lose efficiency and useful life.

• **WARNING** • A large diameter bit causes a higher reactive force leading to losing control over the tool. To avoid this possibility, firmly hold the tool with both hands and keep balanced footing. Drill at 90°.

• Be prepared to relax the drilling force when the bit goes through the material. Sudden movements could break the bit or damage the drill.

• **CAUTION** • Do not touch the bit or the orifices immediately after drilling. Wait until they cool down to handle them. Do not try to cool them down using water or oil.

• Immediately after using do not set the tool where there are particles and / or dust. They can be absorbed into the tool mechanism and cause damage.

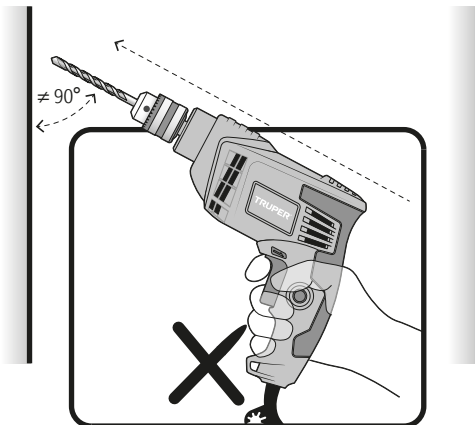
• Use earplugs when using the drill.

• Exposure to noise can cause hearing loss.

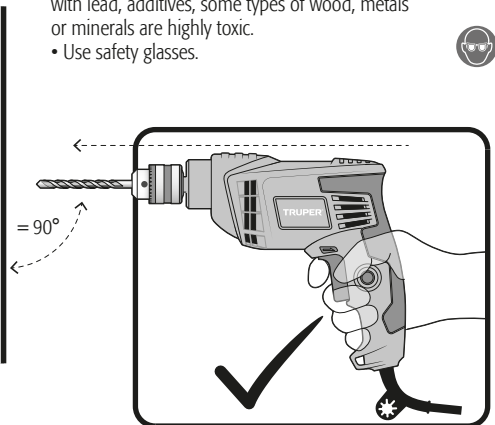
• Use dust mask and dust extractor if necessary.

Remember that materials such as asbestos, paint with lead, additives, some types of wood, metals or minerals are highly toxic.

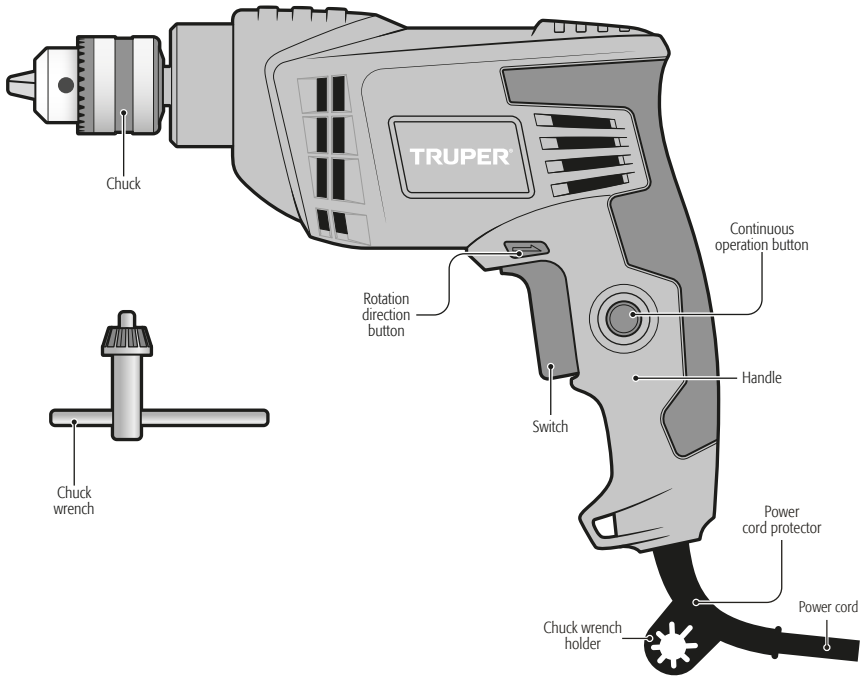
• Use safety glasses.



Wrong way to operate the drill.



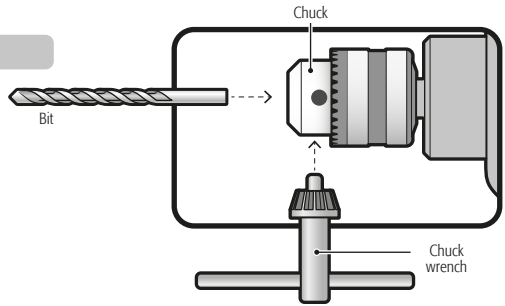
Right way to operate the drill.



Bit fitting

• Put the bit into the chuck until it stops. Fasten with the chuck wrench and tighten alternately the chuck into each of the orifices.

⚠ WARNING Clean burrs and any other foreign objects from the drill bit and drill bit, otherwise the drill bit may not be tight and cause serious personal injury



Turn on and operation control

• Intermittent operation:

Connect the plug into the power inlet.

Press the switch **(A)** to start the drill.

To stop, just release the switch.

• Continuous Operation:

Connect the plug into the power inlet.

Press the switch **(A)** and block it pressing the continuous use button **(B)**.

To stop, press and then, release the switch.

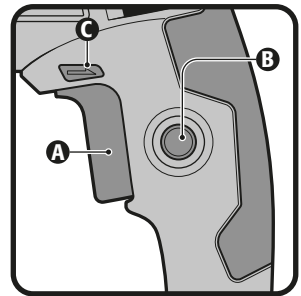
Rotation direction

• The rotation direction button is located on both sides of the drill **(C)**.

• To make the drill turning forwards and drill, press the rotation direction button with the arrow pointing towards the chuck.

• To make it reversible press the rotation direction button with the arrow pointing towards the drill handle.

• Changing the rotation direction can only be carried out when the switch is not pressed.



Drilling on wood

• Fasten the work piece onto a stable base. You should never hold it with your hand or on your leg.

• Apply pressure aligned with the bit. Pressure applied in an angle may cause the bit to bend or break.

• To prevent thin material to chip, set a piece of scrap wood underneath the work piece.

• Twist bits can be used to drill wood but overheat if the chips are not periodically removed from the orifices.

• To prevent chipping, when finishing drilling orifices that go through one side to the other, stop the drill before the orifice is open. Complete the orifice drilling through the opposite side.

Drilling on metal

• To gain maximum performance, when drilling metal or steel, use high-speed steel bits.

• Start drilling at very low speed to prevent the bit to slide out of the starting point.

• Keep speed and pressure that allows cutting without overheating the bit.

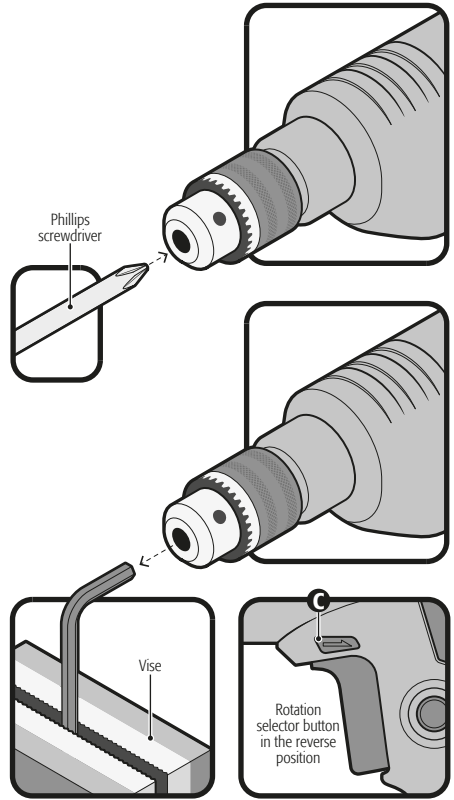
Applying too much pressure may overheat the drill, wear out the cogs, bend or burn the bits, and/or produce off-center or irregular shaped orifices.

• When drilling large orifices in metal, start with a small bit and then, finish with a larger bit.

• Lubricate the bit with oil to improve the drilling action and increase the bit useful life.

Chuck change

- Using a screwdriver remove the left-threaded safety screw with a clockwise movement.
- Fit the long side of a Hex. key in a vise and insert the short side of the Hex. key to the chuck. Close the jaws.
- Move the rotation selector button (C) into the reverse position (page 7) and fastening with a firm hand activate the drill. The chuck will be released with the turn.
- Set the new chuck turning it into the drill thread until it stops.
- Open fully the jaws and set the screw threading counter-clockwise. Tighten with a screwdriver.

**Cleaning and care**

- To guarantee adequate motor cooling, always keep slots clean and free of obstructions.
- Regularly inspect all the mounting screws. Double-check they are properly tighten. If any screw is loose tighten immediately.

Service

- Service should only be made in a **TRUPER®** Authorized Service Center. Service and maintenance performed by non-qualified people may be dangerous and lead to personal injuries. It also makes the product Warranty void.

Lubrication

- We recommend lubricating the tool transmission every carbon brush change in a **TRUPER®** Authorized Service Center.


Carbon brush replacement

- Carbon brushes should be checked periodically.
- When one or both carbon brushes show signs of wear go to a **TRUPER®** Authorized Service center to have both carbon brushes replaced. When replaced, see if the new carbon brushes move freely in the carbon brush housing. Ask to turn on the tool during five minutes to make the contact in the carbon brushes and the commuter even.
- Use only original **TRUPER®** spare carbon brushes, designed specifically with the right strength and electric resistance for each type of motor. Carbon brushes with different specifications may damage the motor.
- When replacing carbon brushes, always change both.

In the event of any problem contacting a Truper Authorized Service Center, please see our webpage www.truper.com to get an updated list, or call our toll-free numbers **800 690-6990** or **800 0187-8737** to get information about the nearest Service Center.

AGUASCALIENTES	DE TODO PARA LA CONSTRUCCIÓN GRAL. BARRAGÁN #1201, COL. GREMIAL, C.P. 20030, AGUASCALIENTES, AGS. TEL.: 449 994 0537	MORELOS	FIX FERRETERÍAS CAPITAN ANZURES #95, ESQ. JOSÉ PERDIZ, COL. CENTRO, C.P. 62740, CUAUTLA, MOR. TEL.: 735 352 8931
BAJA CALIFORNIA	SUCURSAL TIJUANA AV. LA ENCANADADA, LOTE #5, PARQUE INDUSTRIAL EL FLORIDO II, C.P. 22244, TIJUANA, B.C. TEL.: 664 969 5100	NAVARRIT	HERRAMIENTAS DE TEPIC MAZATLAN #117, COL. CENTRO, C.P. 63000, TEPIC, NAY. TEL.: 311 258 0540
BAJA CALIFORNIA SUR	FIX FERRETERÍAS FELIPE ÁNGELES ESQ. RUIZ CORTÍNEZ S/N, COL. PUEBLO NUEVO, C.P. 23670, CD. CONSTITUCIÓN, B.C.S. TEL.: 613 132 1115	NUEVO LEÓN	SUCURSAL MONTERREY CARRETERA LAREDO #300, 1B MONTERREY PARKS, COLONIA PUERTA DE ANAHUAC, C.P. 66052, ESCOBEDO, NUEVO LEÓN, TEL.: 81 8352 8791 / 81 8352 8790
CAMPECHE	TORNILLERÍA Y FERRETERÍA AAA AV. ALVARO OBREGÓN #524, COL. ESPERANZA C.P. 24080 CAMPECHE, CAMP. TEL.: 981 815 2808	OAXACA	FIX FERRETERÍAS AV. 20 DE NOVIEMBRE #910, COL. CENTRO, C.P. 68300, TUXTEPEC, OAX. TEL.: 287 106 3092
CHIAPAS	FIX FERRETERÍAS AV. CENTRAL SUR #27, COL. CENTRO, C.P. 30700, TAPACHULA, CHIS. TEL.: 962 118 4083	PUEBLA	SUCURSAL PUEBLA AV. PERIFÉRICO #2-A, SAN LORENZO ALMECATLA, C.P. 72710, CUAUTLACINGO, PUE. TEL.: 222 282 8282 / 84 / 85 / 86
CHIHUAHUA	SUCURSAL CHIHUAHUA AV. SILVESTRE TERRAZAS #128-11, PARQUE INDUSTRIAL BAFAR, CARRETERA MÉXICO CUAUHTÉMOC, C.P. 31415, CHIHUAHUA, CHIH. TEL.: 614 434 0052	QUERÉTARO	ARU HERRAMIENTAS S.A DE C.V. AV. PUERTO DE VERACRUZ #110, COL. RANCHO DE ENMEDIO, C.P. 76842, SAN JUAN DEL RÍO, QRO. TEL.: 427 268 4544
MEXICO CITY	FIX FERRETERÍAS EL MONSTRUO DE CORREGIDORA, CORREGIDORA # 22, COL. CENTRO, C.P. 06060, CUAUHTÉMOC, CDMX. TEL.: 55 5522 5031 / 5522 4861	QUINTANA ROO	FIX FERRETERÍAS CARRETERA FEDERAL MZ. 46 LT. 3 LOCAL 2, COL. EJIDAL, C.P. 77710 PLAYA DEL CARMEN, Q.R. TEL.: 984 267 3140
COAHUILA	SUCURSAL TORREÓN CALLE METAL MECÁNICA #280, PARQUE INDUSTRIAL ORIENTE, C.P. 27278, TORREÓN, COAH. TEL.: 871 209 68 23	SAN LUIS POTOSÍ	FIX FERRETERÍAS AV. UNIVERSIDAD #1850, COL. EL PASEO, C.P. 78320, SAN LUIS POTOSÍ, S.L.P. TEL.: 444 822 4341
COLIMA	BOMBAS Y MOTORES BYMTESA DE MANZANILLO BLVD. MIGUEL DE LA MADRID #190, COL. 16 DE SEPTIEMBRE, C.P. 28239, MANZANILLO, COL. TEL.: 314 332 1986 / 332 8013	SINALOA	SUCURSAL CULIACÁN AV. JESÚS KUMATE SUR #4301, COL. HACIENDA DE LA MORA, C.P. 80143, CULIACÁN, SIN. TEL.: 667 173 9139 / 173 8400
DURANGO	TORNILLOS ÁGUILA, S.A. DE C.V. MAZURIO #200, COL. LUIS ECHEVERRÍA, DURANGO, DGO. TEL.: 618 817 1946 / 618 818 2844	SONORA	FIX FERRETERÍAS CALLE 5 DE FEBRERO #517, SUR LT. 25 MZ. 10, COL. CENTRO, C.P. 85000, CD. OBREGÓN, SON. TEL.: 644 413 2392
ESTADO DE MÉXICO	SUCURSAL CENTRO JILOTEPEC AV. PARQUE INDUSTRIAL 1, PARQUE INDUSTRIAL JILOTEPEC, JILOTEPEC, EDO. DE MÉX. C.P. 54257, TEL.: 761 782 9101 EXT. 5728 Y 5102	TABASCO	SUCURSAL VILLAHERMOSA CALLE HELIO LOTES 1, 2 Y 3 MZ. #1, COL. INDUSTRIAL, 2A ETAPA, C.P. 86010, VILLAHERMOSA, TAB. TEL.: 993 353 7244
GUANAJUATO	CIÁ. FERRETERA NUEVO MUNDO S.A. DE C.V. AV. MÉXICO - JAPÓN #225, CD. INDUSTRIAL, C.P. 38010, CELAYA, GTO. TEL.: 461 617 7578 / 79 / 80 / 88	TAMAULIPAS	VM ORINGS Y REFACCIONES CALLE ROSITA #527 ENTRE 20 DE NOVIEMBRE Y GRAL. RODRÍGUEZ, FRACC. REYNOSA, C.P. 88780, REYNOSA, TAMS. TEL.: 899 926 7552
GUERRERO	CENTRO DE SERVICIO ECLIPSE CALLE PRINCIPAL MZ.1 LT. 1, COL. SANTA FE, C.P. 39010, CHILPANCIÑO, GRO. TEL.: 747 478 5793	TLAXCALA	SERVICIOS Y HERRAMIENTAS INDUSTRIALES PABLO SIDAR #132, COL. BARRIO DE SAN BARTOLOMÉ, C.P. 90970, SAN PABLO DEL MONTE, TLAX. TEL.: 222 271 7502
HIDALGO	FERREPRECIOS S.A. DE C.V. LIBERTAD ORIENTE #304 LOCAL 30, INTERIOR DE PASAJE ROBLEDÓ, COL. CENTRO, C.P. 43600, TULANCINGO, HGO. TEL.: 775 753 6615 / 775 753 6616	VERACRUZ	LA CASA DISTRIBUIDORA TRUPER BLVD. PRIMAVERA, ESQ. HORTENSIA S/N, COL. PRIMAVERA C.P. 93308, POZA RICA, VER. TEL.: 782 823 8100 / 826 8484
JALISCO	SUCURSAL GUADALAJARA AV. ADOLFO B. HORN # 6800, COL. SANTA CRUZ DEL VALLE, C.P.: 45655, TLAJOMULCO DE ZUÑIGA, JAL. TEL.: 33 3606 5285 AL 90	YUCATÁN	SUCURSAL MÉRIDA CALLE 33 #600 Y 602, LOCALIDAD ITZINCAB Y MULSA, MPIO. UUMÁN, C.P. 97390, MÉRIDA, YUC. TEL.: 999 912 2451
MICHOACÁN	FIX FERRETERÍAS AV. PASEO DE LA REPÚBLICA #3140-A, COL. EX-HACIENDA DE LA HUERTIA, C.P. 58050, MORELIA, MICH. TEL.: 443 334 6858		

Code	Model	Brand
16708	TAL-3/8A2	 TRUPER®

This product is guaranteed for 2 years. To make the warranty valid or purchase parts and components you must present the product in Corregidora 22, Col. Centro, Alc. Cuauhtémoc, CDMX C.P. 06060 or at the establishment where you purchased it, or at any Truper® Service Center listed in the annex to the warranty policy and/or in www.truper.com . Transportation costs resulting from compliance of this warranty will be covered by  **TRUPER®**

For questions or comments, call **800-690-6990**. Made in China. Imported by Truper, S.A. de C.V. Parque Industrial 1, Parque Industrial Jilotepec, Jilotepec, Edo. de Méx. C.P. 54257

Stamp of the business. Date of purchase:



2
AÑOS

Sello del establecimiento comercial. Fecha de compra:

Este producto está garantizado por 2 años. Para hacer válida la garantía o adquirir piezas y componentes deberá presentar el producto en Corregidora 22, Col. Centro, Alc. Cuauhtémoc, CDMX C.P. 06060 o en el establecimiento donde lo compró, o en algún Centro de Servicio Truper® de los enlistados en el anexo de la póliza de garantía y/o en www.truper.com. Los gastos de transportación que resulten para su cumplimiento serán cubiertos por **TRUPER**.

Para dudas o comentarios, llame al 800-690-6990. Hecho en China. Importado por Truper, S.A. de C.V. Parque Industrial 1, Parque Industrial Jilotepec, Jilotepec, Edo. de Méx. C.P. 54257

The TRUPER logo, consisting of the word "TRUPER" in a bold, sans-serif font with a stylized gear-like symbol to its left.

Marca

TAL-3/8A2

Modelo

16708

Código

Póliza de
Garantía

The TRUPER logo, consisting of the word "TRUPER" in a bold, sans-serif font with a stylized gear-like symbol to its left.

En caso de tener algún problema para contactar un Centro de Servicio Autorizado Truper® consulte nuestra página www.truper.com donde obtendrá un listado actualizado, o llame al: 800 690-6990 ó 800 0187-8737 donde le informarán cuál es el Centro de Servicio más cercano.

AGUASCALIENTES

DE TODO PARA LA CONSTRUCCION
 GRAL. BARRAGAN #1201, COL. GERMAL, C.P. 20050,
 AGUASCALIENTES, AGS. TEL.: 449 944 0537

BAJA CALIFORNIA

SUCURSAL TIJUANA
 AV. LA ENCANTADA LOTE #5, PARQUE INDUSTRIAL EL
 FLORIDO II, C.P. 22244, TIJUANA, B.C.
 TEL.: 664 969 5100

BAJA CALIFORNIA SUR

FIX FERRETERIAS
 FELIPE ANGELES ESQ. RUIZ CORTINEZ S/N, COL. PUEBLO
 NUEVO, C.P. 25670, CD. CONSTITUCION, B.C.S.
 TEL.: 615 152 1115

CAMPECHE

TORNILLERIA Y FERRETERIA AAA
 AV. ALVARO ORBEGON #324, COL. ESPERANZA
 C.P. 24080 CAMPECHE, CAMP. TEL.: 981 815 2808

CHIAPAS

FIX FERRETERIAS
 AV. CENTRAL SUR #27, COL. CENTRO, C.P. 50700,
 TAPACHULA, CHIS. TEL.: 962 118 4085

CHIHUAHUA

SUCURSAL CHIHUAHUA
 AV. SILVESTRE TERREZAS #128-11, PARQUE INDUSTRIAL
 BARRA, CARRETERA MEXICO CUAHUATEMOC, C.P. 31415,
 CHIHUAHUA, CHIH. TEL.: 614 454 0052

CUIDAD DE MEXICO

FIX FERRETERIAS
 EL MONSTRUO DE CORREDORA, CORREDORA # 22,
 COL. CENTRO, C.P. 06060, CUAHUATEMOC, CDMX.
 TEL.: 55 5522 5051 / 5522 4861

COAHUILA

SUCURSAL TORREON
 CALLE METAL MECANICA #380, PARQUE INDUSTRIAL
 ORIENTE, C.P. 27278, TORREON, COAH.
 TEL.: 871 209 68 25

COLIMA

BOMBAS Y MOTORES BVMTESA DE MANZANILLO
 BLD. MIGUEL DE LA MADRID #190, COL. 16 DE
 SEPTIEMBRE, C.P. 28259, MANZANILLO, COL.
 TEL.: 514 352 1966 / 352 8013

DURANGO

TORNILLAS AGUILA, S.A. DE C.V.
 DURANGO DGO. TEL.: 618 817 1946 / 618 818 2844
 MZURIO #200, COL. LUIS ECHEVERRIA, DURANGO.

ESTADO DE MEXICO

SUCURSAL CENTRO ILOTEPEC
 AV. PARQUE INDUSTRIAL 1, PARQUE INDUSTRIAL
 ILOTEPEC, ILOTEPEC, EDO. DE MX. C.P. 54527,
 TEL.: 761 782 9101 EXT. 5128 Y 5102

GUANAJUATO

CA. FERRETERIA NUEVO MUNDO S.A. DE C.V.
 AV. MEXICO - JAFON #225, CD. INDUSTRIAL, C.P. 38010,
 CELAYA, GTO. TEL.: 461 617 7578 / 79 / 80 / 88

GUERRERO

CENTRO DE SERVICIO EQUIPE
 CALLE PRINCIPAL MTZ. 11, COL. SANTA FE, C.P. 59010,
 CHILPANCIANGO, GRO. TEL.: 747 478 5793

HIDALGO

FERRETERIAS ORIENTE #504 LOCAL 50, INTERIOR DE PASAJE
 ROBERTO, COL. CENTRO, C.P. 45600, TULANCINGO,
 HGO. TEL.: 775 755 6615 / 775 755 6616

JALISCO

SUCURSAL GUADALAJARA
 AV. ADOLFO B. HORN # 6890, COL.: SANTA CRUZ DEL
 VALTE, C.P.: 45655, TLAJOMULCO DE ZUNIGA, JAL.
 TEL.: 33 5606 5285 AL 90

MICHOCÁN

FIX FERRETERIAS
 AV. PASO DE LA REPUBLICA #314-A-COL.
 EX-HACIENDA DE LA HUERTA, C.P. 58050, MORELIA,
 MICH. TEL.: 443 534 6858

YUCATÁN

SUCURSAL MÉRIDA
 CALLE 33 #600 Y 602, LOCALIDAD ITZINCAB Y MULLSAY,
 MPIO. UMANU, C.P. 97390, MÉRIDA, YUC.
 TEL.: 999 919 212 451

VERACRUZ

LA CASA DISTRIBUIDORA TRUPER
 BLD. PIMAVERA ESQ. HORTENSIA S/N, COL.
 PIMAVERA, C.P. 93508, POZA RICA, VER.
 TEL.: 782 823 8100 / 826 848 848

TLAXCALA

SERVICIOS Y HERRAMIENTAS INDUSTRIALES
 PABLO SIDAR #132, COL.: BARRIO DE SAN BARTOLOME,
 C.P. 90970, SAN PABLO DEL MONTE, TLAX.
 TEL.: 222 271 7502

TLAMAUPLIS

VM ORINOS Y REPARACIONES
 CALLE ROSITA #22 ENTRE 20 DE NOVIEMBRE Y GRAL.
 RODRIGUEZ, FRACC. REYNOSA, C.P. 88780, REYNOSA,
 TAMS. TEL.: 899 926 7552

TABASCO

SUCURSAL VILLAHERMOSA
 CALLE HELIO LOTES 1, 2 Y 3 MZ. #1, COL. INDUSTRIAL,
 ZA ETAPA, C.P. 86010, VILLAHERMOSA, TAB.
 TEL.: 995 555 2744

SONORA

FIX FERRETERIAS
 CALLE 5 DE FEBRERO #517, SUR LT. 25 MZ. 10, COL.
 CENTRO, C.P. 85000, CD.: OBREGON, SON.
 TEL.: 644 413 2592

SINALOA

SUCURSAL CUICUILACÁN
 AV. JESUS URMATE SUR #4501, COL. HACIENDA DE LA
 MORA, C.P. 80145, CUICUILACÁN, SIN.
 TEL.: 667 175 9159 / 173 8400

SAN LUIS POTOSÍ

FIX FERRETERIAS
 AV. UNIVERSIDAD #1850, S.L.P. TEL.: 444 822 4541
 SAN LUIS POTOSÍ, S.L.P.

QUINTANA ROO

FIX FERRETERIAS
 CARRETERA FEDERAL MZ. 46 LT. 5 LOCAL 2, COL. EIDAL,
 C.P. 77710 PLANA DEL CARMEN, Q.R.
 TEL.: 984 267 5140

PUEBLA

SUCURSAL PUEBLA
 AV. PERIFERICO #2-A, SAN LORENZO ALMECATA,
 C.P. 72710, CUAUTLACINGO, PUE.
 TEL.: 222 282 8282 / 84 / 85 / 86

OAXACA

FIX FERRETERIAS
 AV. 20 DE NOVIEMBRE #910, COL. CENTRO, C.P. 68500,
 TUXTEPEC, OAX. TEL.: 287 106 5092

QUEJÉTARO

AHU HERRAMIENTAS S.A. DE C.V.
 AV. PUERTO DE VERACRUZ #110, COL. RANCHO DE
 ENMEDIO, C.P. 76842, SAN JUAN DEL RÍO, QRO.
 TEL.: 427 268 4544

QUINTANA ROO

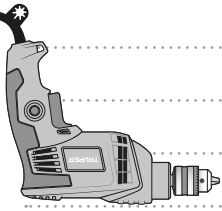
SUCURSAL MONTERREY
 CARRETERA LARDEO #500, 1B MONTERREY PARKS,
 COLONIA PUERTA DE ANAHUAC, C.P. 66052, ESCOBEDO,
 NUEVO LEÓN, TEL.: 81 8352 8791 / 81 8352 8790

MORELOS

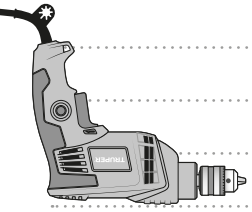
FIX FERRETERIAS
 CAPTAN ANZURES #95, ESQ. JOSÉ PEDRIZ, COL.
 CENTRO, C.P. 62740, CUAUTLA, MOR.
 TEL.: 735 552 8951

NAVARAT

HERRAMIENTAS DE TEPIC
 MAZTAN #117, COL. CENTRO, C.P. 63000, TEPIC, NAV.
 TEL.: 511 258 0540



A series of horizontal dotted lines for writing, spanning the width of the page.

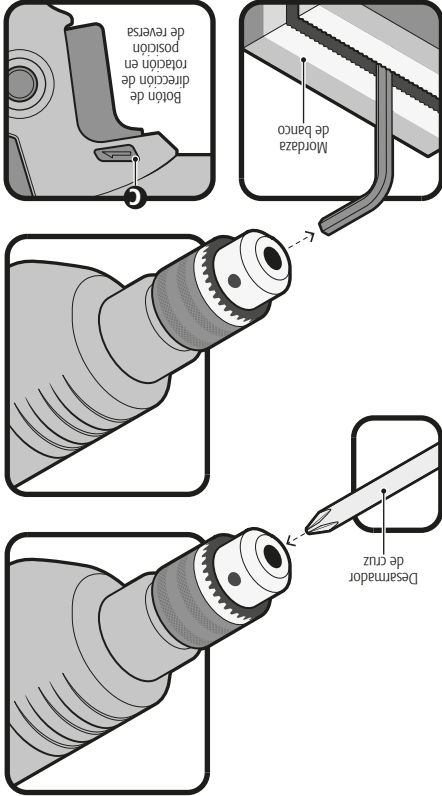


Mantenimiento



Cambio de broquero

- Abra completamente las mordazas del broquero.
- Extraiga el tornillo de seguridad de cuerda izquierda, aflojándolo con un desarmador en el sentido de las manecillas del reloj.
- Mueva la palanca selectora de rotación (C) a la posición de reversa (página 7) y accione el taladro sujetándolo firmemente. El broquero se liberará con el giro.
- Coloque el broquero nuevo entrosicándolo a la cuerda del taladro hasta que llegue al tope.
- Abra las mordazas completamente e introduzca el tornillo rosicándolo en sentido opuesto a las manecillas del reloj. Apriételo con un desarmador.



Lubricación

- Se recomienda que la transmisión de la herramienta sea lubricada cada cambio de carbonos en un Centro de Servicio Autorizado **TRUPER**.

Cambio de carbonos

- Los carbonos deben revisarse periódicamente, y ser reemplazados siempre por un Centro de Servicio Autorizado **TRUPER** cuando se hayan desgastado.
- Después de que hayan sido reemplazados, pida que se inspeccione si los nuevos carbonos pueden moverse libremente en el porta-carbón y solicite que enciendan la herramienta durante 5 minutos para emparejar el contacto de los carbonos y el conmutador.
- Sólo se deben de usar carbonos de repuesto **TRUPER** originales, diseñados específicamente con la dureza y la resistencia eléctrica adecuadas para cada tipo de motor. Los carbonos fuera de especificaciones pueden dañar el motor.
- Cuando se haga el cambio de carbonos siempre deben reemplazarse los dos carbonos.

Limpieza y cuidados

- Siempre mantenga las ventillas limpias y libres de obstrucciones para garantizar un enfriamiento adecuado del motor.
- Inspeccione regularmente todos los tornillos de montaje y asegúrese de que estén apretados correctamente. En caso de que alguno de los tornillos esté suelto, apriételo inmediatamente.

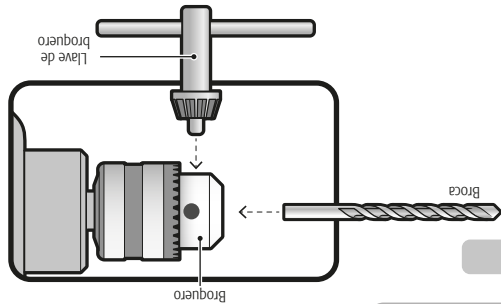
Servicio

- El servicio de las herramientas debe ser realizado únicamente en un Centro de Servicio Autorizado **TRUPER**. El Servicio y mantenimiento realizado por personas no calificadas puede resultar peligroso y llegar a ocasionar daños personales además de invalidar la garantía del producto.

Puesta en marcha

Instalación de la broca

- Introduzca la broca dentro del broquero apretando tope y asegúrela con la llave de broquero hasta que el broquero en cada uno de los orificios
- ▲ **ADVERTENCIA** Limpie las rebabas y cualquier otro objeto extraño de la broca y el broquero, de lo contrario la broca puede no quedar bien apretada y causar lesiones personales serias.

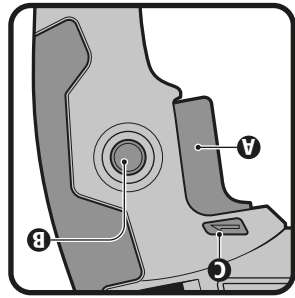


Encendido y control de operación

- Operación intermitente:
Conecte la clavija al tomacorriente.
Presione el interruptor (A) para hacer que el taladro empiece a funcionar.
Para interrumpir su uso, simplemente suelte el interruptor.
- Operación continua:
Conecte la clavija al tomacorriente.
Presione el interruptor (A) y bloquéelo, apretando el botón de uso continuo (B).
Para interrumpir su funcionamiento, presione y después suelte el interruptor.

Dirección de rotación

- El botón de dirección de rotación se encuentra a ambos lados del taladro (C).
- Para que la broca gire hacia adelante y pueda taladrar, presione el botón de dirección de rotación con la flecha que apunta al broquero.
- Para que gire en reversa presione el botón de dirección de rotación con la flecha que apunta al mango del taladro.
- El cambio de dirección de rotación solo se puede realizar cuando no se está presionando el interruptor.

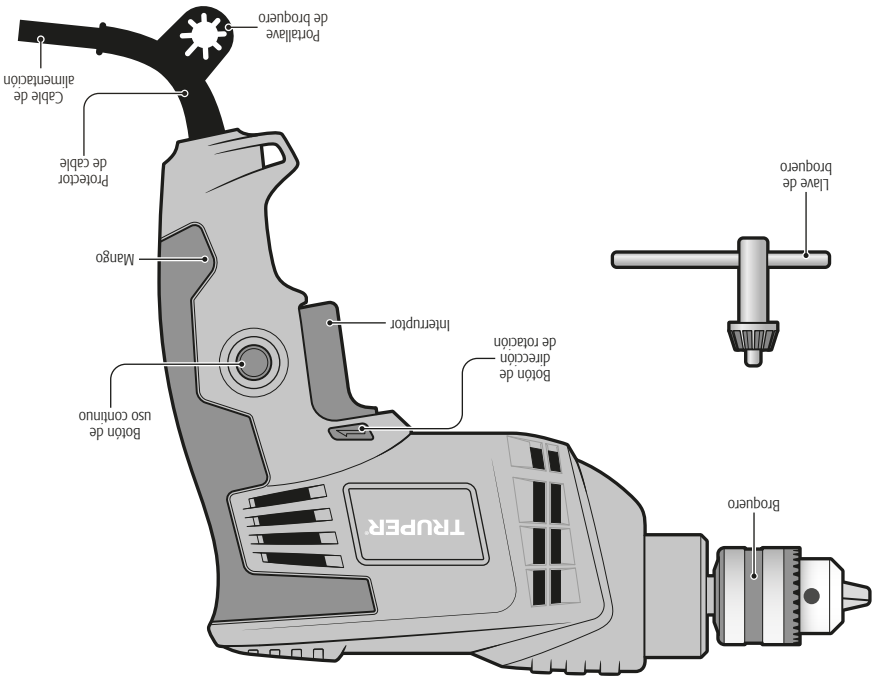


Taladrado en madera

- Sujete siempre la pieza de trabajo sobre una base estable. Jamás la sostenga con la mano o sobre una pierna.
- Aplique la presión alineada con la broca. Aplicar presión en ángulo puede ocasionar que la broca se doble o rompa.
- Para evitar que materiales delgados puedan astillarse coloque una pieza de madera de desecho por debajo.
- Las brocas helicoidales se pueden utilizar para taladrar madera pero se sobrecalientan si no se retiran las astillas periódicamente de los orificios.
- Para evitar que se astillen, al terminar los orificios que van de lado a lado, detenga el taladrado antes que se abra el orificio. Complete el orificio por el otro lado.

Taladrado en metal

- Para obtener máximo desempeño, utilice brocas de acero de alta velocidad para el taladrado en metal o acero.
- Empezar a taladrar a muy baja velocidad para prevenir que la broca se resbale fuera del punto de inicio.
- Mantenga una velocidad y presión que le permita cortar sin sobre calentar la broca.
- Aplicar demasiado presión puede sobrecalentar el taladro, desgastar los engranes, doblar o quemar las brocas y/o producir orificios fuera de centro o de forma irregular.
- Al taladrar orificios grandes en metal, empiece con una broca pequeña, y después acabe con una broca más grande.
- Lubrique la broca con aceite para mejorar la acción de taladrado y para aumentar la vida útil de la broca.



Elija la broca apropiada

⚠ ATENCIÓN - Elija la broca apropiada para el material a trabajar, esto reduce el riesgo de lesiones graves

y agilita el trabajo.

• Para metal o plástico use brocas para trabajos en metal. Las medidas abarcan un mínimo de 0,8 mm (1,2 mm para broquero de 15 mm) hasta la capacidad máxima del broquero.

• Para madera use brocas ordinarias para trabajos de madera. En cualquier caso, perforando orificios de 6,5 mm o menos, use brocas para trabajos en metal.

• No intente utilizar brocas que excedan la capacidad del broquero.

Antes de operar el taladro

• Tómese su tiempo para evaluar el trabajo a realizar y asegúrese de haber respetado todas las precauciones necesarias antes de comenzar a taladrar.

⚠ ADVERTENCIA - Ajuste correctamente la broca al broquero. Quite la llave del broquero antes de comenzar a taladrar. Si no se quita la llave, ésta puede salir despedida a gran velocidad y provocar lesiones graves.

⚠ PELIGRO - Antes de perforar en una pared, suelo o techo, asegúrese de que no haya objetos empotrados, tales como cables o conducciones eléctricas o tuberías.

⚠ PELIGRO - Asegúrese que el interruptor esté apagado (posición OFF) antes de conectar la herramienta, de lo contrario ésta comenzará a funcionar inesperadamente, pudiendo provocar lesiones graves.

⚠ ATENCIÓN - Apague y desconecte la herramienta antes de invertir el sentido del giro del broquero, así como de instalar o reemplazar una broca.

Mientras opera el taladro

• Sostenga la herramienta por su mango y por el mango auxiliar, si es que se proporciona con la herramienta. Recuerde que la pérdida de control puede causar lesiones personales.

• Sostenga la herramienta por las superficies asistidas, sobre todo al realizar trabajos en los que la parte de corte de la broca pueda hacer contacto con cables o ocullos o con el propio cable de alimentación de la herramienta. El contacto con un cable conductor de corriente hace que las piezas metálicas de la herramienta también tengan corriente y puedan provocar una descarga eléctrica al operador.

⚠ ATENCIÓN - Si la broca se atasca en la pieza de trabajo, apague el taladro de inmediato. Luego retire la broca de la pieza de trabajo. No intente retirar las brocas atordadas encendiendo y apagando la herramienta.

• No ejerza demasiada presión a la herramienta con tal de acelerar la perforación. De lo contrario la broca se dañará y la eficiencia de la herramienta disminuirá al igual que su vida útil.

⚠ ADVERTENCIA - En cuanto más grande sea el diámetro de la broca, la fuerza reactiva es mayor, lo que puede provocar una pérdida del control de la herramienta. Para evitar esta posibilidad sujete firmemente la herramienta con ambas manos y mantenga una posición equilibrada sobre ambos pies mientras perfora a 90°.

• Este atento y preparado para relajar la fuerza en cuanto la broca atraviese el material. Los movimientos repentinos pueden romper la broca o dañar el cuerpo de la herramienta.

⚠ ATENCIÓN - No toque la broca ni las perforaciones inmediatamente después de taladrar. Espere a que se enfríen para manipularlas. No intente enfriarlas con agua o aceite.

• Evite colocar la herramienta en un sitio con partículas y/o polvo inmediatamente después de haber usado, estas pueden ser absorbidas dentro del mecanismo de la herramienta y así dañarla.

• Usar protectores para los oídos cuando se utilice el taladro. La exposición al ruido puede causar pérdida auditiva.

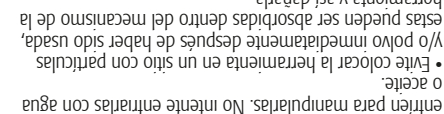
• Utilice mascarilla antipolvo y un equipo extractor de polvo si es necesario. Recuerde que trabajar materiales como asbesto, pinturas con plomo, aditivos, algunos tipos de metales o minerales es altamente tóxico.

• Utilice gafas de seguridad.

FORMA CORRECTA DE OPERAR EL TALADRO

90° =

90° ≠



FORMA INCORRECTA DE OPERAR EL TALADRO

90° ≠

90° =



Advertencias generales de seguridad para herramientas eléctricas

¡ADVERTENCIA! Lea detenidamente todas las advertencias y las instrucciones para futuras referencias. Existen a continuación. La omisión de alguna de ellas puede dar como resultado un choque eléctrico, incendio y/o daño serio. **Conserve las advertencias y las instrucciones para futuras referencias.**

Área de trabajo
Mantenga el área de trabajo limpia y bien iluminada.
Las áreas desordenadas y oscuras son propensas a accidentes.
Mantenga la herramienta en ambientes expuestos, como en presencia de líquido, gas o polvo inflamables.
Las herramientas eléctricas producen chispas que pueden encender material inflamable.



Mantenga alejados a los niños y curiosos cuando opere la herramienta.
Las distracciones pueden hacer que pierda el control.

Seguridad eléctrica
La clavija de la herramienta debe coincidir con el tomacorriente. Nunca modifique una clavija. No use ningún tipo de adaptador para clavijas de herramientas puestas a tierra. Clavijas modificadas y enchufes diferentes aumentan el riesgo de choque eléctrico.
Evite el contacto del cuerpo con superficies puestas a tierra como tuberías, radiadores, cocinas eléctricas y refrigeradores. Hay un mayor riesgo de choque eléctrico si el cuerpo está puesto a tierra. No exponga la herramienta a la lluvia o condiciones de humedad. El agua que ingresa en la herramienta aumenta el riesgo de choque eléctrico. No fuerce el cable. Nunca use el cable para transportar, conectar o desconectar la herramienta. Mantenga el cable lejos del calor, aceite, ollas atizadas o piezas en movimiento. Los cables dañados o enredados aumentan el riesgo de choque eléctrico. Cuando maneje una herramienta en exteriores, use una extensión especial para usos en exteriores. El uso de una extensión adecuada para exteriores reduce el riesgo de choque eléctrico.

Uso y cuidados de la herramienta
No fuerce la herramienta. Use la herramienta adecuada para el trabajo a realizar. La herramienta adecuada hace un trabajo mejor y más seguro cuando se usa al ritmo para el que fue diseñada.



No use la herramienta si el interruptor no funciona. Cualquier herramienta eléctrica que no pueda encenderse o apagarse es peligrosa y debe repararse antes de ser operada. Descargue la herramienta de la fuente de alimentación y/o de la batería antes de efectuar cualquier ajuste, cambiar accesorios o almacenarla. Estas medidas reducen el riesgo de arrancar la herramienta accidentalmente.



Almacene las herramientas fuera del alcance de los niños y no permita su manejo por personas no familiarizadas con las herramientas o con las instrucciones. Las herramientas eléctricas en manos no entrenadas. Déle mantenimiento a la herramienta. Compruebe que las partes móviles no estén desalineadas o trabadas, que no haya piezas rotas u otras condiciones que puedan afectar su operación. Repare cualquier daño antes de usar la herramienta. Muchos accidentes son causados por el escaso mantenimiento de las herramientas. Mantenga los accesorios de corte afilados y limpios. Trabarse y más fáciles de controlar.

Use la herramienta, sus componentes y accesorios de acuerdo con estas instrucciones y de la manera prevista para el tipo de herramienta, en condiciones de trabajo adecuadas. El uso de la herramienta para aplicaciones diferentes para las que está diseñada podría causar una situación de peligro.

Servicio
Repare la herramienta en un Centro de Servicio Autorizado **TRUPER** usando sólo piezas de repuesto idénticas. Para mantener la seguridad de la herramienta.

Evite arranques accidentales. Asegúrese de que el interruptor está en posición "apagado" antes de conectar a la fuente de alimentación y/o a la batería o transportar la herramienta. Transportar herramientas eléctricas con el dedo sobre el interruptor o conectar herramientas eléctricas que tienen el interruptor en posición de "encendido" puede causar accidentes.



Use equipo de seguridad. Use siempre protección para los ojos. El uso de equipo de seguridad como lentes de seguridad, mascarilla antipolvo, zapatos antideslizantes, casco y protección para los oídos en condiciones apropiadas, reduce de manera significativa los daños personales.

Seguridad personal
Esté alerta, vigile lo que está haciendo y use el sentido común cuando maneje una herramienta. No la use si está cansado o bajo la influencia de drogas, alcohol o medicamentos. Un momento de distracción mientras maneja la herramienta puede causar un daño personal.

Si el uso de la herramienta en un lugar húmedo es inevitable, use una alimentación protegida por un interruptor de circuito de falla a tierra (GFCI). El uso de un GFCI reduce el riesgo de choque eléctrico.

TAL-3/8A2

• Código	16708
• Descripción	Taladro
• Broquero	3/8" (9,5 mm)
• Tensión	127 V~
• Frecuencia	60 Hz
• Corriente	3 A
• Potencia	400 W
• Velocidad	3 000 r/min
• Ciclo de trabajo	30 minutos de trabajo por 15 minutos de descanso. Máximo 3 horas diarias.
• Conductores	18 AWG x 2C con temperatura de aislamiento de 105 °C
• Aislamiento	Clase II
	Grado IP
	IP 20

El cable de alimentación tiene sujeta-cables tipo: Y
 La clase de construcción de la herramienta es: Aislamiento reforzado.
 La clase de aislamiento térmico de los devanados del motor: Clase B

ADVERTENCIA

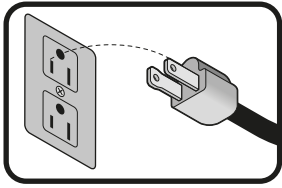
Si el cable de alimentación se daña, éste debe ser reemplazado por el fabricante o Centro de Servicio Autorizado **TRUPER**, con el fin de evitar algún riesgo de descarga o accidente considerable. La construcción del aislamiento eléctrico de esta herramienta es alterado por saipicaduras o derramamiento de líquidos durante su operación. No la exponga a la lluvia, líquidos y/o humedad. Antes de obtener acceso a las terminales, todos los circuitos de alimentación deben ser desconectados.



Requerimientos eléctricos

ADVERTENCIA

Las herramientas de doble aislamiento y aislamiento reforzado están equipadas con una dajaja polarizada (una pata es más ancha que la otra). Esta dajaja cabe en cualquier enchufe polarizado y sólo puede conectarse de una forma. Si la dajaja no cabe en el enchufe, volteelo. Si aún así no cabe, póngase en contacto con un electricista calificado o instale un enchufe polarizado. No altere la dajaja en forma alguna. Ambos tipos de aislamiento eliminan la necesidad de un cable de corriente de tres partes con conexión a tierra o de un sistema de corriente eléctrica con conexión a tierra.



ADVERTENCIA

Al usar un cable de extensión, asegúrese de usar el calibre suficiente para transportar la corriente que consumirá su herramienta. Un cable de un calibre inferior ocasionará caídas de tensión en la línea, teniendo como resultado pérdida de potencia y sobrecalentamiento del motor. La siguiente tabla muestra el tamaño correcto que debe usarse dependiendo de la longitud del cable y de la capacidad de amperes indicada en la placa de datos de la herramienta. Si tiene dudas use el siguiente calibre más alto.

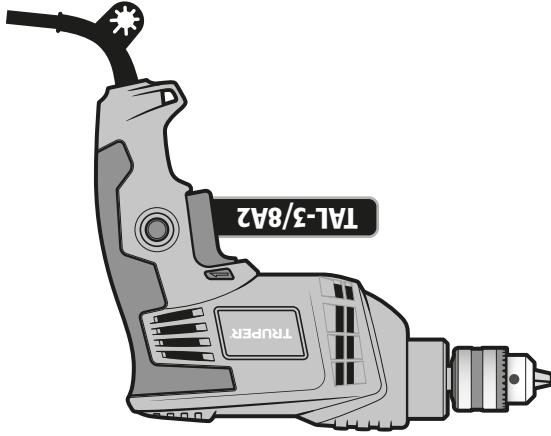
Capacidad en Amperes	Número de conductores	Calibre de extensión
de 0 A hasta 10 A	3 (uno a tierra)	16 AWG
de 10 A hasta 13 A		14 AWG
de 13 A hasta 15 A		12 AWG
de 15 A hasta 20 A		10 AWG
de 20 A hasta 30 A		8 AWG
de 30 A hasta 40 A		6 AWG

de 1,8 m a 15 m | mayor de 15 m

* Se permite utilizar siempre y cuando las extensiones mismas cuenten con un artefacto de protección contra sobrecorriente. AWG = Calibre de alambre estadounidense (American Wire Gauge). Referencia: NMX-1-195-AWG.

ADVERTENCIA Al operar herramientas eléctricas en exteriores, utilice una extensión aterrizada marcada como "Uso exterior" marca **VOLTECK**. Estas extensiones son especiales para el uso en exteriores y reducen el riesgo de sufrir una descarga eléctrica.





Los gráficos de este Instructivo son para referencia, pueden variar del aspecto real de la herramienta.

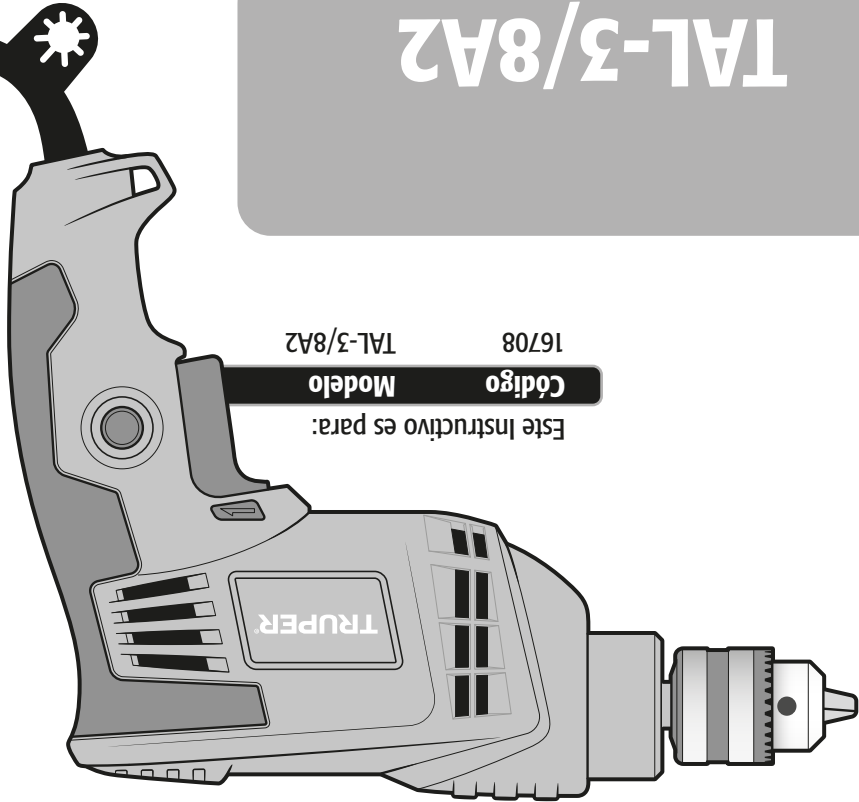
Para poder sacar el máximo provecho de la herramienta, hacer válida la garantía en caso de ser necesario y evitar riesgos o lesiones graves, es fundamental leer este Instructivo por completo antes de usar la herramienta.

ATENCIÓN

- 3 Especificaciones técnicas.
- 3 Requerimientos eléctricos.
- 4 Advertencias generales de seguridad para herramientas eléctricas.
- 5 Advertencias de Seguridad para uso de taladros.
- 6 Partes.
- 7 Puesta en marcha.
- 8 Mantenimiento.
- 9 Notas.
- 11 Centros de Servicio Autorizados.
- 12 Póliza de Garantía.

Instructivo de
Taladro

400 W
9,5 mm
3/8" Broquero
Potencia



Este Instructivo es para:

Código 16708
Modelo TAL-3/8A2

TAL-3/8A2

ATENCIÓN



Lea este Instructivo por completo
antes de usar la herramienta.

