

Manual

# Pneumatic brad nailer

Applies for:

Code	Model
13179	CLNE-23



# CLNE-23

 **WARNING**

Constant lubrication.

 **CAUTION**



Read this manual thoroughly  
before using the tool.



Technical data .....	<b>3</b>
Filter and lubrication requirements .....	<b>3</b>
 Safety warnings for pneumatic tools .....	<b>4</b>
 Risk control when using pneumatic tools .....	<b>5</b>
 Safety warnings for using brad nailers .....	<b>6</b>
Parts .....	<b>7</b>
Setup .....	<b>7</b>
Start up .....	<b>8</b>
Maintenance .....	<b>9</b>
Troubleshooting .....	<b>9</b>
Notes .....	<b>10</b>
Authorized service centers .....	<b>11</b>
Warranty policy .....	<b>12</b>

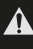
## **CAUTION**

To gain the best performance of the tool, prolong the duty life, make the Warranty valid if necessary, and to avoid hazards of fatal injuries please read and understand this Manual before using the tool.


Keep this manual for future references.

The illustrations in this manual are for reference only. They might be different from the real tool.

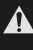
## Use and care recommendations

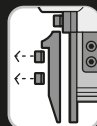
 Do not operate without lubrication (it is recommended to use the Truper lubricating filter **19238** UNI-LL-1/4).



 Use only in **WOOD**.



 Work at the **INDICATED PRESSURE** to prevent the nail from clogging. In case this happens **REMOVE THE NAIL** before continuing working.



 Perform periodic **MAINTENANCE** to your machine (page 9).

# Technical data

**TRUPER®**

## CLNE-23

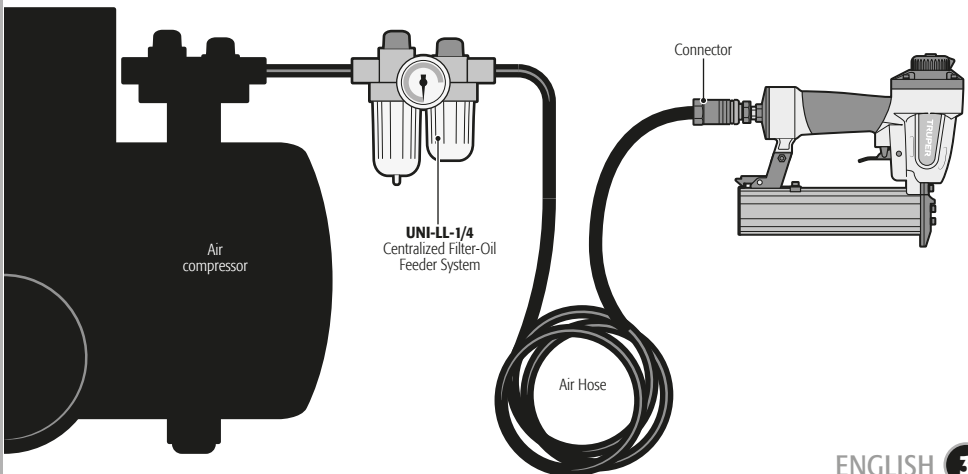
Code	•	13179
Description	•	Pneumatic brad nailer
Recommended Operation Pressure	•	75 PSI - 110 PSI
Maximum Pressure Allowed	•	110 PSI
Cartridge Capacity	•	100 nails
Nail Gauge	•	23
Nail Length	•	15/32" to 1-3/16"
Air Intake Connection	•	1/4 NPT
Hose Inner Diameter	•	3/8"

**CAUTION** An increase in the pressure in the line or the inner diameter in the hose diameter shall be considered to compensate the use of very long hoses (longer than 26.2 ft). The hose minimum inner diameter shall be 3/8" and the connectors shall be 1/4 NPT. Use good quality couplings and accessories with the right size.

## Filter and lubrication requirements

**CAUTION** Dust, water and oil specific for using in pneumatic tools are the main cause of potential flaws with the tool. We recommend installing a **TRUPER** Brand **UNI-LL-1/4** centralized filter-oil feeder system. This system assures lubrication reducing 80% oil consumption significantly increasing the air quality the operator breaths.

- The filter-oil feeder system must be regulated to administer 3 to 6 drops a minute.
- Drain the water in the air compressor tank and also condensation in the hoses before using the tool. Consult the air compressor instructions.





## Safety warnings for pneumatic tools



Keep your work area clean, tidy and well lit.

**CAUTION** Cluttered and dark areas can cause accidents.



Never use the tool in explosive environments or in the presence of flammable liquids or with no ventilation.

**DANGER** Sparks generated by the tool could cause explosion or fire.



Keep children and other people at a safe distance while using the tool.

**WARNING** Distractions can make loose control and cause accidents.



Avoid making contact with power lines and circuits.

**DANGER** Place an avoid power lines and circuits especially hidden wiring including grounded objects.



Stay alert, be cautious and use common sense.

**CAUTION** Familiarity with the use of the tool could distract you while operating it. This can cause accidents.

Do not use the tool if tired or under the influence of drugs, alcohol or medication.

**DANGER** A moment distraction while using the tool can cause severe personal injury.

Use the tool with its pieces in place and in good repair.

**WARNING** Failure to comply with this instruction can expose you to severe injury.

Secure and support correctly the work piece.

**CAUTION** Use vices and a stable work surface.

Never force the tool.

**CAUTION** Working within the tool design range assures a better and safer job.



Store the tool in a safe place away from children reach.

**WARNING** Pneumatic tools are dangerous in inexperienced hands.



Wear the right clothing.

**WARNING** Loose clothing, jewelry or long hair can get caught in the moving parts.



Keep hands away from the moving and / or rotating parts.

**WARNING** Failure to comply with this warning expose you to severe personal injury such as cuts, burns and crushing.



Wear the adequate personal protection equipment.

**CAUTION** Use of eye protection, dust mask, anti-squid safety shoes, and protection helmet and safety gloves considerably reduce risk of injuries.



Disconnect the air hose from the tool before servicing or changing accessories.

**CAUTION** To prevent the tool from accidentally start and cause accidents.

Never use the tool if the switch is not working or if it is not correctly assembled.

**WARNING** Using the tool in disrepair expose you to severe personal injury. Repair immediately in a **TRUPER** Authorized Service Center.

Do not overreach.

**WARNING** Good footing and balance allow having better control on the tool in unexpected situations.

Never pull the air hose.

**CAUTION** Do not use the hose to carry the tool or disconnect it from the air supply. Damaged or tangled hoses may burst and shoot residues towards the operator.

Prevent accidentally starting of the tool.

**WARNING** Double check the air intake is disconnected before lubricating, setting accessories or servicing the tool.



Remove all the vices before starting the tool.

**WARNING** Additional tools, or vices set onto a rotating piece in the tool may cause severe personal injury.

Service the tool and verify it is in excellent conditions before using it.

**DANGER** Double-check carefully all the mobile parts, alignment and assembly. Do this inspection regularly. Look for any damaged element or malfunctioning part. Replace immediately in a **TRUPER** Authorized Service Center.



Accessories.

**CAUTION** Use only accessories or spare parts indicated in this **MANUAL** or certified by **TRUPER**.

Never leave the tool running unattended.

**CAUTION** Disconnect the tool from the air supply after operating and before storing in a safe place to prevent accidents.

# Risk control

## when using pneumatic tools




### Injury risk to head and eyes



**WARNING** • Compressed air used with pneumatic tools may be dangerous. Objects like vices, burr, splinters, dust and other residues can get shot out at great speed driven by the airflow and enter your eyes or hit your head. Airflow by itself can cause damage on soft tissues in eyes, ears, etc.

**CAUTION** • The tool attachments may come free or break, sending debris towards the operator or those working nearby.

### Prevent injury to head and eyes

- When operating pneumatic equipment wear protecting eyeglasses complying with ANSI Z87.1 Standard. As an additional protection wear a mask. 
- Never aim the airflow to people or animals.
- Disconnect the air hose from the tool when not in use.
- Never leave the tool unattended when connected to the air inlet.
- Before using the tool verify all the parts and accessories are securely fastened.

### Risk of explosion



**WARNING** • Inadequate handling of pressure in pneumatic equipment may cause an explosion and severe injury. Also, using any gas different from compressed air causes explosions.

### Preventing an explosion


- Before using the tools double-check that the compressed air supply is regulated to the tool specified pressure and it not goes over that level.
- Never connect the tool into a pressure supply exceeding 200 PSI, neither oxygen nor any other bottled gas, combustible or reactive.
- Use clean, dry and regulated compressed air with pressure between 75 PSI and 110 PSI.

### Hearing loss risk



**WARNING** • Being exposed to noise generated by pneumatic tool during long periods of time may damage permanently hearing and cause hearing loss.

### Preventing hearing loss

- When operating pneumatic equipment always wear hearing protection complying with ANSI S3.19 Standard. 

### Risk of injury



**WARNING** • Damaged hoses may burst and cause severe injury or hearing loss.

### Preventing injuries

- Do not mistreat the hose or connectors.
- Keep the hose away from sharp or abrasive surfaces.
- Disconnect the hose when loading the cartridge.
- Never use the hose to carry the tool.
- Never pull the hose to disconnect the tool.
- Do not expose the hose to heat, oil or solvents.
- Before operating the tool, verify that the hoses are not damaged.
- Use hoses that can handle at least 150 PSI or 150% of the system maximum pressure, whichever is higher.


• Vices can get unfastened and get projected causing severe injury or damage to property.

• Double-check all connections are securely installed.

• Tools that start unexpectedly may cause severe injury.

- Never carry the tool by the trigger.
- Disconnect the tool air hose when not in use.
- Never leave the tool unattended when connected to the air supply.

• Tools and accessories with no maintenance may cause severe injury.

- Keep all tools clean. A clean and lubricated tool works more effectively and is easier to control.
- All repairs can only be carried out in a  **TRUPER** Authorized Service Center.

• Damaged and banged tools and accessories may cause severe injury.

• Do not use damaged or banged tools or accessories.

## Before using the nailer

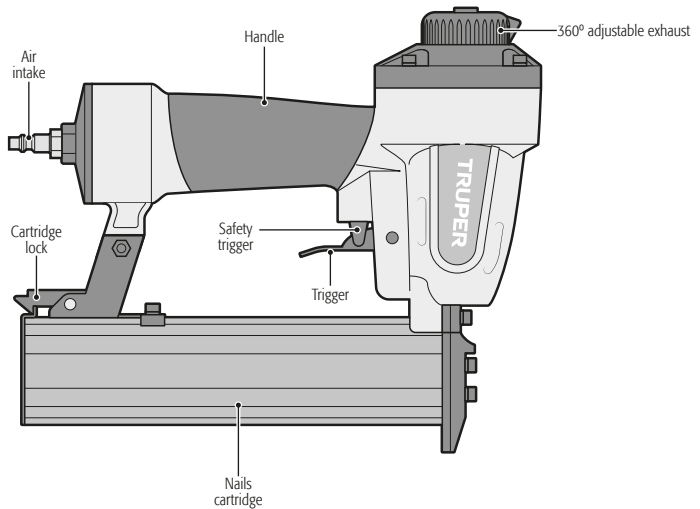
- To prevent possible injuries, the operator and any other person in the work area shall wear safety glasses with side protection as well as protective helmets in compliance with the Official Mexican Standards (NOM).
- Inspect the tool. Never operate a tool if the lock, the trigger or the springs are not operating; are damaged or lost. Do not make any modification to the lock, trigger or springs.

## While using the nailer

- To prevent accidental shots keep your fingers away from the trigger when the tool is not been used.
- Do not point the tool towards your body, people or animals.
- Disconnect the tool from the air supply before loading nails. Thus, preventing a nail will accidentally be shot during the connection process.
- Do not try to insert a nail on the edge or near the edge of the work piece. If the piece breaks or separates, it would shoot the nails with enough power to cause injury.
- Shoot nails only towards the work surface. Never shoot towards surfaces hard to penetrate on top of another nail or having the tool in steep angle. This could make the nails to bounce exposing the operator to severe injury.
- Do not try to load nails when the trigger is pressed. This action shoots a nail unexpectedly.
- When moving the tool, only hold it by the handle. Never activate the trigger while moving. Never carry the tool holding it by the hose or pulling the hose to move the tool.

## After using the nailer

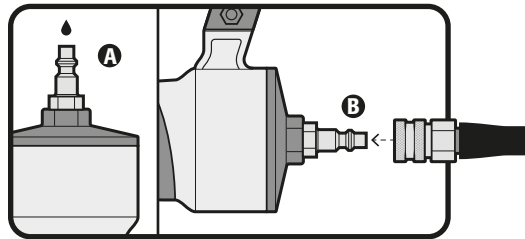
- Disconnect the nailer from the air supply before carrying out any maintenance or unblocking job when leaving the work area or if giving it to another operator.



## Setup

### Air Supply Connection

- Before connecting to the tool, connect the hose to the compressor and let some air run through the hose and coupling, to verify both are clean.
- If a filter-oil feeder similar to the one recommended in page 3 is not available apply a few drops of oil suitable for tools into the air inlet **(A)**.
- Connect the air hose to the tool with an empty cartridge using a fast coupling **(B)**. **⚠ CAUTION** Before connecting the hose to the tool double check the nail cartridge is empty.
- The fast coupling is very useful to quickly connect and disconnect the tool and interchange them easily.

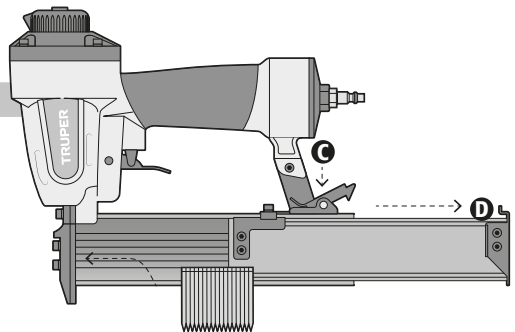


### Cartridge Loading

- Disconnect the air hose from the tool.
- Open the cartridge pressing the cartridge lock **(C)** and pulling backwards the cartridge cap **(D)**.
- Place the nails into the open cartridge and push them forward as indicated in the illustration.
- Set the nails into the cartridge with the tips downwards.

**⚠ CAUTION** Double check the nails are not dirty or damaged.

- Close the cartridge pushing the cover. Block it with the cartridge lock.



## Operation

- Turn on the compressor and fill it.
- Regulate the air compressor output pressure to 75 PSI and 110 PSI

**⚠ WARNING** The tool operates with this pressure range. If operating with a higher pressure ranges the useful life of the tool will be decreased.

- Load the cartridge as indicated on page 7.

**⚠ CAUTION** • Use a piece of scrap wood to verify the tool works correctly.

- Not putting your finger on the trigger position the tool and press the contact lock against the surface to be used **(A)**.

- Without lifting the tool press the trigger to shoot **(B)**.

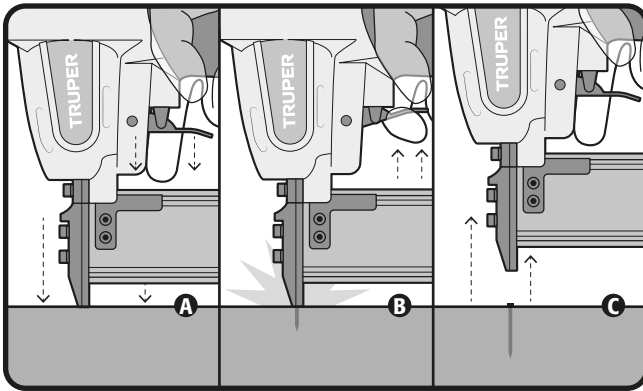
- Immediately release the trigger and lift the tool **(C)**.

- Position the tool back for subsequent shots.

- In case the staples are not penetrating deep enough, slightly lift the air pressure until reaching the right penetration force.

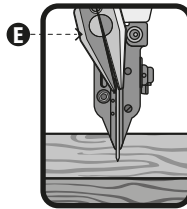
**⚠ WARNING** Remember not to exceed 110 PSI

**⚠ CAUTION** Be sure to set the safety lock so that the trigger of the tool is locked.



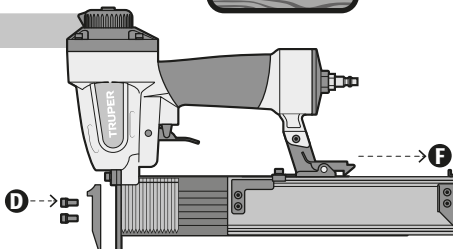
## Blocked nail in the shooting orifice

- Disconnect the tool from the air supply.
- Open the nozzle **(D)** and pull the nail using pliers until removed **(E)**.



## Blocked nail in the cartridge


- Disconnect the tool from the air supply.
- Open the cartridge **(F)**.
- Remove the blocked nail with pliers.
- Close the cartridge.





## Lubrication


• Pneumatic tools require constant lubrication all along their working life and while operating. The compressed air the tool needs to function contains humidity that can oxidize the tool's motor and bearings.


To prevent that possibility it is necessary to constantly administer lubricating oil delivered by a  **TRUPER** Brand UNI-LL-1/4 centralized filter-oil feeder system installed between the air compressor and the tool.

**⚠ WARNING** • The exhaust immediately expels any excess oil in the motor. Always keep the exhaust free of obstructions and never point it to people or objects.

- If the tool is not going to be used long periods of time it should be carefully lubricated.
- After each 60 hours operation the tool mechanism needs greasing. Keep in mind that grease in excess may diminish power

## Service

• Servicing the tool shall be carried out every 3 months in a  **TRUPER** Authorized Service Center. Maintenance service carried out by a non-qualified person may be dangerous and cause personal injury. It also makes the Warranty void.

• Problems with the tool due to lack of recommended dosed lubrication, to fail in following instructions given in this MANUAL or repairs carried out by personnel not certified by  **TRUPER** will not be covered in the Warranty. We reserve the right to make technical improvements without previous notice.

# Troubleshooting

### Problem

### Cause

### Solution


Air leak in the upper side of the tool or in the trigger area.

- Loose screws.
- Worn "O"-rings or damaged seals.

- Fasten all the screws.
- Go to a  **TRUPER** Authorized Service Center to replace the parts.

The tool is not operating or goes to slow.

- Inadequate air supply.
- Inadequate lubrication.
- Worn "O"-rings or damaged seals.

- Regulate the air feeding pressure.
- Lubricate following instructions indicated in this manual.
- Go to a  **TRUPER** Authorized Service Center to replace the parts.

Leak in the lower side of the tool.

- Loose screws.
- Worn "O"-rings or damaged seals.

- Fasten all the screws.
- Go to a  **TRUPER** Authorized Service Center to replace the parts.

The tool gets blocked frequently.

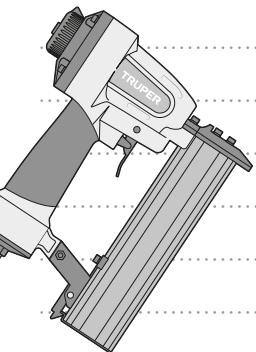
- Wrong nails.
- Damaged nails.
- Loose cartridge or nozzle screw.
- Dirty cartridge.
- The shooting mechanism is damaged or worn.

- Check the nails have the right size.
- Replace with nailers in good repair.
- Fasten the screws.
- Clean the cartridge.
- Go to a  **TRUPER** Authorized Service Center to replace the parts.

Other problems.

- Diverse reasons.

- Go to a  **TRUPER** Authorized Service Center to replace the parts.



In the event of any problem contacting a Truper Authorized Service Center, please see our webpage [www.truper.com](http://www.truper.com) to get an updated list, or call our toll-free numbers **800 690-6990** or **800-018-7873** to get information about the nearest Service Center.

- AGUASCALIENTES** **DE TODO PARA LA CONSTRUCCIÓN**  
GRAL. BARRAGÁN #1201, COL. GREMIAL, C.P. 20030, AGUASCALIENTES, AGS. TEL.: 449 994 0537
- BAJA CALIFORNIA** **SUCURSAL TIJUANA**  
AV. LA ENCANTADA, LOTE #5, PARQUE INDUSTRIAL EL FLORIDO II, C.P. 22244, TIJUANA, B.C. TEL.: 664 969 5100
- BAJA CALIFORNIA SUR** **FIX FERRETERÍAS**  
FELIPE ÁNGELES ESQ. RUIZ CORTÍNEZ S/N, COL. PUEBLO NUEVO, C.P. 23670, CD. CONSTITUCIÓN, B.C.S. TEL.: 613 132 1115
- CAMPECHE** **TORNILLERÍA Y FERRETERÍA AAA**  
AV. ÁLVARO OBREGÓN #324, COL. ESPERANZA C.P. 24080 CAMPECHE, CAMP. TEL.: 981 815 2808
- CHIAPAS** **FIX FERRETERÍAS**  
AV. CENTRAL SUR #27, COL. CENTRO, C.P. 30700, TAPACHULA, CHIS. TEL.: 962 118 4083
- CHIHUAHUA** **SUCURSAL CHIHUAHUA**  
AV. SILVESTRE TERRAZAS #128-11, PARQUE INDUSTRIAL BAFAR, CARRETERA MÉXICO CUAUHTEMOC, C.P. 31415, CHIHUAHUA, CHIH. TEL. 614 434 0052
- CIUDAD DE MÉXICO** **FIX FERRETERÍAS**  
EL MONSTRUO DE CORREGIDORA, CORREGIDORA # 35, COL. CENTRO, C.P. 06060, CUAUHTEMOC, CDMX. TEL.: 55 5522 5051 / 5522 4861
- COAHUILA** **SUCURSAL TORREÓN**  
CALLE METAL MECÁNICA #280, PARQUE INDUSTRIAL ORIENTE, C.P. 27278, TORREÓN, COAH. TEL.: 871 209 68 23
- COLIMA** **BOMBAS Y MOTORES BYMTESA DE MANZANILLO**  
BLVD. MIGUEL DE LA MADRID #190, COL. 16 DE SEPTIEMBRE, C.P. 28259, MANZANILLO, COL. TEL.: 314 332 1986 / 332 8013
- DURANGO** **TORNILLOS ÁGUILA, S.A. DE C.V.**  
MAZURIO #200, COL. LUIS ECHEVERRÍA, DURANGO, DGO. TEL.: 618 817 1946 / 618 818 2844
- ESTADO DE MÉXICO** **SUCURSAL CENTRO JILOTEPEC**  
PARQUE INDUSTRIAL # 1, COL. PARQUE INDUSTRIAL JILOTEPEC, JILOTEPEC, EDO. DE MÉX. C.P. 54257 TEL.: 761 782 9101 EXT. 5728 Y 5102
- GUANAJUATO** **ÍA. FERRETERA NUEVO MUNDO S.A. DE C.V.**  
AV. MÉXICO - JAPÓN #225, CD. INDUSTRIAL, C.P. 38010, CELAYA, GTO. TEL.: 461 617 7578 / 79 / 80 / 88
- GUERRERO** **CENTRO DE SERVICIO ECLIPSE**  
CALLE PRINCIPAL MZI LT. 1, COL. SANTA FE, C.P. 39010, CHILPANCIÑO, GRO. TEL.: 747 478 5793
- HIDALGO** **FERREPRECIOS S.A. DE C.V.**  
LIBERTAD ORIENTE #304 LOCAL 30, INTERIOR DE PASAJE ROBLED0, COL. CENTRO, C.P. 43600, TULANCINGO, HGO. TEL.: 775 753 6615 / 775 753 6616
- JALISCO** **SUCURSAL GUADALAJARA**  
AV. ADOLFO B. HORN # 6800, COL: SANTA CRUZ DEL VALLE, C.P.: 45655, TLAJOMULCO DE ZUÑIGA, JAL. TEL.: 33 3606 5285 AL 90
- MICHOACÁN** **FIX FERRETERÍAS**  
AV. PASEO DE LA REPÚBLICA #3140-A, COL. EX-HACIENDA DE LA HUERTA, C.P. 58050, MORELIA, MICH. TEL.: 443 334 6858
- MORELOS** **FIX FERRETERÍAS**  
CAPITÁN ANZURES #95, ESQ. JOSÉ PERDIZ, COL. CENTRO, C.P. 62740, CUAUTLA, MOR. TEL.: 735 352 8931
- NAVARRIT** **HERRAMIENTAS DE TEPEC**  
MAZATLAN #117, COL. CENTRO, C.P. 63000, TEPEC, NAY. TEL.: 311 258 0540
- NUEVO LEÓN** **SUCURSAL MONTERREY**  
CARRETERA LAREDO #300, 1B MONTERREY PARKS, COLONIA PUERTA DE ANAHUAC, C.P. 66052, ESCOBEDO, NUEVO LEÓN, TEL.: 81 8352 8791 / 81 8352 8790
- OAXACA** **FIX FERRETERÍAS**  
AV. 20 DE NOVIEMBRE #910, COL. CENTRO, C.P. 68300, TUXTEPEC, OAX. TEL.: 287 106 3092
- PUEBLA** **SUCURSAL PUEBLA**  
AV. PERIFÉRICO #2-A, SAN LORENZO ALMECATLA, C.P. 72710, CUAUTLACINGO, PUE. TEL.: 222 282 8282 / 84 / 85 / 86
- QUERÉTARO** **ARU HERRAMIENTAS S.A DE C.V.**  
AV. PUERTO DE VERACRUZ #110, COL. RANCHO DE ENMEDIO, C.P. 76842, SAN JUAN DEL RÍO, QRO. TEL.: 427 268 4544
- QUINTANA ROO** **FIX FERRETERÍAS**  
CARRETERA FEDERAL MZ. 46 LT. 3 LOCAL 2, COL. EJIDAL, C.P. 77710 PLAYA DEL CARMEN, Q.R. TEL.: 984 267 3140
- SAN LUIS POTOSÍ** **FIX FERRETERÍAS**  
AV. UNIVERSIDAD #1850, COL. EL PASEO, C.P. 78320, SAN LUIS POTOSÍ, S.L.P. TEL.: 444 822 4341
- SINALOA** **SUCURSAL CULIACÁN**  
AV. JESÚS KUMATE SUR #4501, COL. HACIENDA DE LA MORA, C.P. 80143, CULIACÁN, SIN. TEL.: 667 173 9139 / 173 8400
- SONORA** **FIX FERRETERÍAS**  
CALLE 5 DE FEBRERO #517, SUR LT. 25 MZ. 10, COL. CENTRO, C.P. 85000, CD. OBREGÓN, SON. TEL.: 644 413 2392
- TABASCO** **SUCURSAL VILLAHERMOSA**  
CALLE HELIO LOTES 1, 2 Y 3 MZ. #1, COL. INDUSTRIAL, 2A ETAPA, C.P. 86010, VILLAHERMOSA, TAB. TEL.: 993 355 7244
- TAMAULIPAS** **VM ORINGS Y REFACCIONES**  
CALLE ROSITA #527 ENTRE 20 DE NOVIEMBRE Y GRAL. RODRÍGUEZ, FRACC. REYNOSA, C.P. 88780, REYNOSA, TAMS. TEL.: 899 926 7552
- TLAXCALA** **SERVICIOS Y HERRAMIENTAS INDUSTRIALES**  
PABLO SIDAR #132, COL. BARRIO DE SAN BARTOLOMÉ, C.P. 90970, SAN PABLO DEL MONTE, TLAX. TEL.: 222 271 7502
- VERACRUZ** **LA CASA DISTRIBUIDORA TRUPER**  
BLVD. PRIMAVERA, ESQ. HORTENSIA S/N, COL. PRIMAVERA, C.P. 93308, POZA RICA, VER. TEL.: 782 823 8100 / 826 8484
- YUCATÁN** **SUCURSAL MÉRIDA**  
CALLE 33 #600 Y 602, LOCALIDAD ITZINCAB Y MULSAV, MPIO. UMÁN, C.P. 97390, MÉRIDA, YUC. TEL.: 999 912 2451

Code	Model	Brand
13179	CLNE-23	 <b>TRUPER®</b>

**Warranty.** Duration: 2 year. Coverage: parts, components and workmanship against manufacturing or operating defects, except if used under conditions other than normal; when it was not operated in accordance with the instructive; was altered or repaired by personnel not authorized by **Truper®**. To make the warranty valid, present the product, stamped policy or invoice or receipt or voucher, in the establishment where you bought it or in Corregidora 35, Centro, Cuauhtémoc, CDMX, 06060, where you can also purchase parts, components, consumables and accessories. It includes the costs of transportation of the product that derive from its fulfillment of its service network. . Phone number **800-018-7873**. Made in China. Imported by Truper, S.A. de C.V. Parque Industrial 1, Parque Industrial Jilotepec, Jilotepec, Edo. de Méx. C.P. 54257, Phone number 761 782 9100.



**2**  
**YEARS**

Stamp of the business. Delivery date:

2  
AÑOS

Sello del establecimiento comercial. Fecha de entrega:

**Garantía.** Duración: 2 años. Cobertura: piezas, componentes y mano de obra contra defectos de fabricación o funcionamiento, excepto si se usó en condiciones distintas a las normales; cuando no fue operado conforme instructivo; fue alterado o reparado por personal no autorizado por **Truper®**. Para hacer efectiva la garantía presente el producto, póliza sellada o factura o recibo o comprobante, en el establecimiento donde lo compró o en Corregidora 35, Centro, Cuauhtémoc, CDMX, 06060, donde también podrá adquirir partes, componentes, consumibles y accesorios. Incluye los gastos de transportación del producto que deriven de su cumplimiento de su red de servicio. Tel. **800-018-7873**. Made in/Hecho en China. Importador **Truper, S.A. de C.V.** Parque Industrial 1, Parque Industrial Jilotepec, Jilotepec, Edo. de Méx. C.P. 54257, Tel. 761 782 9100.



Marca

CLNE-23

Modelo

13179

Código

Póliza de  
garantía

TRUPER®

En caso de tener algún problema para contactar un Centro de Servicio Autorizado Truper® consulte nuestra página [www.truper.com](http://www.truper.com) donde obtendrá un listado actualizado, o llame al: 800 690 6990 u 800-018-7873 donde le informarán cuál es el Centro de Servicio más cercano.

## DE TODO PARA LA CONSTRUCCIÓN

AGUASCALIENTES  
GRAL. BARRAGÁN #1201, COL. GEMINAL, CP. 20030.  
TEL.: 449 994 0557



BAJA CALIFORNIA

**SUCURSAL TIJUANA**  
AV. LA ENCANTADA, LOTE #5, PARQUE INDUSTRIAL EL FLORIDO II, CP. 22244, TIJUANA, B.C.  
TEL.: 664 996 5100



BAJA CALIFORNIA SUR

**FIX FERRERÍAS**  
FELIPE ANGELES ESQ. RUIZ CORTINEZ S/N, COL. PUEBLO NUEVO, CP. 25670, CD. CONSTITUCIÓN, B.C.S.  
TEL.: 615 152 1115



CAMPECHE

**TORNILLERÍA Y FERRERÍA AAA**  
AV. ALVARO OBREGÓN #524, COL. ESPERANZA  
CP. 24080 CAMPPECHE, CAMP. TEL.: 981 815 2808



CHIAPAS

**FIX FERRERÍAS**  
AV. CENTRAL SUR #27, COL. CENTRO, CP. 50700, TAPACHULA, CHI.S. TEL.: 962 118 4083



CHIHUAHUA

**SUCURSAL CHIHUAHUA**  
AV. SILVESTRE TERREZAS #128-11, PARQUE INDUSTRIAL BARR. CARRETERA MÉXICO CUAHUATEMOC, CP. 51415, CHIHUAHUA, CHIH. TEL.: 614 434 0052



CIUDAD DE MÉXICO

**FIX FERRERÍAS**  
EL MONSIEURO DE CORREGidora, CORREGIDORA # 55, COL. CENTRO, CP. 06060, CUAHUATEMOC, CDMX.  
TEL.: 55 522 5051 / 522 4861



COAHUILA

**SUCURSAL TORREÓN**  
CALLE METAL MECÁNICA #280, PARQUE INDUSTRIAL ORIENTE, CP. 27278, TORREÓN, COAH.  
TEL.: 871 209 68 25



COLIMA

**BOMBAS Y MOTORES BYMTESA DE MANZANILLO**  
BIVO MICULTE DE LA MADRID #190, COL. 16 DE SEPTIEMBRE, CP. 28259, MANZANILLO, COL.  
TEL.: 514 532 986 / 532 8015



DURANGO

**TORNILLOS ÁGUILA, S.A. DE C.V.**  
MAZUHO #300, COL. LUIS ECHEVERRÍA, DURANGO, DGO. TEL.: 618 817 1946 / 618 818 2844



ESTADO DE MÉXICO

**SUCURSAL CENTRO JILOTEPEC**  
PARQUE INDUSTRIAL # 1, COL. PARQUE INDUSTRIAL JILOTEPEC, JILOTEPEC, EDO. DE MÉX. CP. 54257  
TEL.: 761 782 9101 EXT. 5728 Y 5102



GUANAJUATO

**CLA FERRERÍA NUEVO MUNDO S.A. DE C.V.**  
AV. MÉXICO #225, CD. INDUSTRIAL, CP. 38010, CLEWAL, GTO. TEL.: 461 617 5758 / 79 / 80 / 88



GUERRERO

**CENTRO DE SERVICIO EQUIPES**  
CALLE PRINCIPAL, GRO. TEL.: 747 478 5795  
CHIAPANINGO, GTO. TEL.: 39010



HIDALGO

**FERRERECIOS S.A. DE C.V.**  
LIBERTAD ORIENTE #509A LOCAL 30, INTERIOR DE PASAJE ROBLEDO, COL. CENTRO, TULANGINCO, HGO. TEL.: 775 752 6615 / 775 752 6616



JALISCO

**SUCURSAL CAJALAJALA**  
AV. ADOLFO B. HORN # 6800, COL. SANTA CRUZ DEL VALLE, C.P. 45655, TLAJAMULCO DE ZUNIGA, JAL.  
TEL.: 33 3606 5285 AL 90



MICHOACÁN

**FIX FERRERÍAS**  
AV. PASO DE LA REPUBLICA #3140-A, COL. EXHANGUENDA DE LA HUERTA, CP. 58050, MORELIA, MICH. TEL.: 443 334 6858

## MORELOS

**FIX FERRERÍAS**  
CAPTÁN ANJUNES #95, ESQ. JOSÉ PERDIZ, COL. CENTRO, CP. 62740, CUAUTLA, MOR.  
TEL.: 755 552 8931



NAYARIT

**HERRAMIENTAS DE TEPIC**  
MAZATLÁN #117, COL. CENTRO, CP. 65000, TEPIC, NAY.  
TEL.: 311 258 0540



NUÉVO LEÓN

**SUCURSAL MONTERREY**  
CARRETERA LÁREDO #500, 18 MONTERREY PARKS, COLONIA PUERTA DE ANAHUAC, CP. 66052, ESCOBEDO, NUEVO LEÓN, TEL.: 81 8552 8791 / 81 8552 8790



OAXACA

**FIX FERRERÍAS**  
AV. 20 DE NOVIEMBRE #910, COL. CENTRO, CP. 68300, TUXTEPEC, OAX. TEL.: 287 106 5092



PUEBLA

**SUCURSAL PUEBLA**  
AV. PERIFÉRICO #2-A, SAN LORENZO AMATECATLA, CP. 72710, CUAUTLA CINCO, PUE.  
TEL.: 222 8282 / 84 / 85 / 86



QUERÉTARO

**ARU HERRAMIENTAS S.A. DE C.V.**  
AV. PUERTO DE VERACRUZ #110, COL. RANCHO DE ENMEDIO, CP. 76842, SAN JUAN DEL RÍO, QRO.  
TEL.: 472 268 4544



QUINTANA ROO

**FIX FERRERÍAS**  
CARRETERA FEDERAL MZ. 46 IT 3 LOCAL 2, COL. EJIDAL, CP. 77710 PLANA DEL CARMEN, Q.R.  
TEL.: 984 267 5140



SAN LUIS POTOSÍ

**FIX FERRERÍAS**  
AV. INDEPENDENCIA #1850, COL. EL PASO, CP. 78320, SAN LUIS POTOSÍ, S.L.P. TEL.: 444 822 4341



SINALOA

**SUCURSAL CUICACÁN**  
AV. ESSUS KUMATE SUR #4501, COL. HACIENDA DE LA MORA, C.P. 80143, CUICACÁN, SIN.  
TEL.: 667 175 9159 / 175 8400



SONORA

**FIX FERRERÍAS**  
CALLE 3 DE FEBRERO #517, SUR IT. 25 MZ. 10, COL. CENTRO, CP. 85000, CD. OBOREGÓN, SON.  
TEL.: 644 415 2592



TABASCO

**SUCURSAL VILAHERMOSA**  
CALLE HEJULOTES 1, 2 Y 3 MZ. #1, COL. INDUSTRIAL, ZA ETAPA, C.P. 86010, VILAHERMOSA, TAB.  
TEL.: 993 555 7244



TAMAULIPAS

**VM ORINAS Y REACCIONES**  
CALLE ROSITA #527 ENTRE 20 DE NOVIEMBRE Y GRAL. RODRÍGUEZ, FRACC. REYNOSA, C.P. 88780, REYNOSA, TAM.S. TEL.: 899 926 7525



TLAXCALA

**SERVICIOS Y HERRAMIENTAS INDUSTRIALES**  
CP. 90970, SAN PABLO DEL MONTE, TLAX.  
TEL.: 222 271 7502



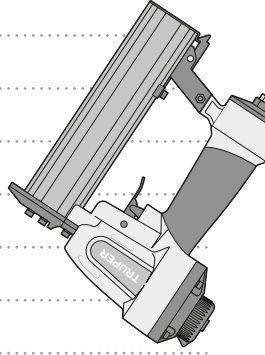
VERACRUZ

**LA CASA DISTRIBUIDORA TRUPER**  
BLVD. PRIMAVERA ESQ. HORTENSIA S/N, COL. PRIMAVERA, C.P. 93308, POZA RICA, VER.  
TEL.: 782 825 8100 / 826 8484



YUCATÁN

**SUCURSAL MÉRIDA**  
CALLE 33 #600 y 602, LOCALIDAD ITZINCAB Y MULSAN, M.P.O. UJMAH, C.P. 97390, MÉRIDA, YUC.  
TEL.: 999 919 2451



A series of horizontal dotted lines spanning the width of the page, intended for handwritten notes.

Después de cada 60 horas de operación el mecanismo de la herramienta se deberá engrasar un poco. Recuerde que el exceso de grasa puede disminuir la potencia.

## Servicio

- El servicio de las herramientas debe ser realizado cada 3 meses únicamente en un Centro de Servicio Autorizado **TRUPER**. El servicio y mantenimiento realizado por personas no calificadas puede resultar peligroso y llegar a ocasionar datos personales además de invalidar la garantía del producto.
- Las fallas en la herramienta causadas por la falta de lubricación dosificada recomendada, por el incumplimiento de este instructivo o por reparaciones realizadas por personal no certificado por **TRUPER**, no serán cubiertas por la garantía. Nos reservamos el derecho a realizar mejoras técnicas sin previo aviso.

## Lubricación

- Las herramientas neumáticas requieren lubricación constante a lo largo de su vida útil y durante su operación. El aire comprimido que necesita la herramienta para funcionar contiene humedad que puede dañar los componentes de la herramienta.
- Para evitar esta posibilidad es necesario administrar constantemente aceite lubricante por medio del sistema de filtro-aceitera **TRUPER**, instalado entre el compresor de aire y la herramienta.
- **ADVERTENCIA** • Cualquier exceso de aceite en el motor es expulsado de inmediato por el escape de aceite excedente. Mantenga siempre el escape libre de cualquier obstrucción y nunca lo apunte hacia personas u objetos.
- Si no va a utilizar la herramienta por un periodo largo, deberá lubricarse con mucho cuidado.

# Solución de Problemas

## Problema

## Causa

## Solución

Fuga de aire en la parte superior de la herramienta o en el área del gallo.

- Tornillos sueltos.
- Anillos tipo "O" desgastados o sellos dañados.

- Apriete todos los tornillos.
- Acuda a un Centro de Servicio Autorizado **TRUPER** para su reemplazo.

La herramienta no opera o lo hace de forma muy lenta.

- Suministro de aire inadecuado.
- Lubricación inadecuada.
- Anillos tipo "O" desgastados o sellos dañados.

- Regule la presión de alimentación de aire. Lubrique siguiendo las instrucciones de este instructivo.
- Acuda a un Centro de Servicio Autorizado **TRUPER** para su reemplazo.

Fuga de aire en la parte inferior de la herramienta.

- Tornillos sueltos.
- Anillos tipo "O" desgastados o sellos dañados.

- Apriete todos los tornillos.
- Acuda a un Centro de Servicio Autorizado **TRUPER** para su reemplazo.

La herramienta se atasca con frecuencia.

- Clavos inadecuados.
- Clavos dañados.
- Tornillo del cartucho o de la boquilla suelto.
- Cartucho sucio.
- El mecanismo de disparo está dañado o desgastado.

- Revise que los clavos sean del tamaño adecuado.
- Reemplace por clavos en perfecto estado.
- Apriete los tornillos.
- Limpie el cartucho.
- Acuda a un Centro de Servicio Autorizado **TRUPER** para su reparación.

Otras fallas.

- Causas diversas.

- Acuda a un Centro de Servicio Autorizado **TRUPER**.



Operación

- Encienda el compresor de aire y permita que se llene.
- Regule la presión de salida del compresor de aire de 517 kPa y 758 kPa (75 PSI y 110 PSI).

**ADVERTENCIA** La herramienta opera a este rango de presión, de

operar a rangos mayores de presión la vida útil de la herramienta será menor.

• Cargue el cartucho como se indica en la página 7.

**ATENCIÓN** Se recomienda usar una pieza de madera de desecho para

verificar el correcto funcionamiento de la herramienta.

• Con los dedos sin tocar el gatillo presione la herramienta y presione la

boquilla contra la superficie a trabajar (A). Libere la palanca de bloqueo para

permitir el accionamiento del gatillo.

• Sin levantar la herramienta libere el seguro y presione el gatillo para realizar

un disparo (B).

• Inmediatamente suelte el gatillo y levante la herramienta (C).

• Vuelva a posicionar la herramienta, libere el seguro para disparos

subsiguientes.

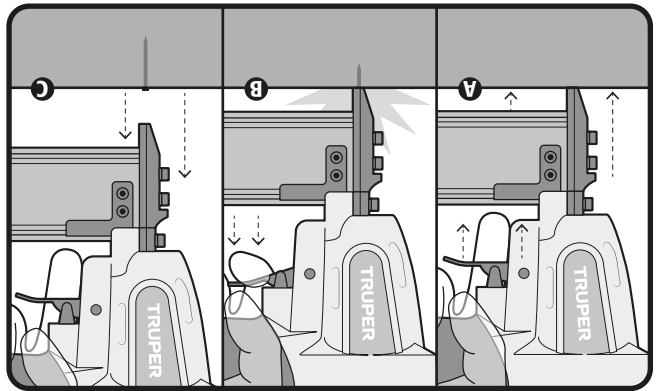
• Si los clavos no penetran lo suficiente, eleve ligeramente la presión del aire

hasta que consiga la fuerza de penetración esperada.

**ADVERTENCIA** Recuerde de no excederse de 758 kPa (110 PSI).

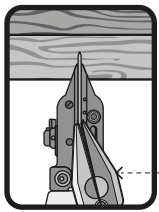
**ATENCIÓN** Asegúrese de colocar la palanca de bloqueo para bloquear

el gatillo de la herramienta.



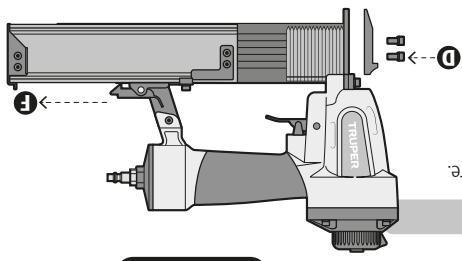
Clavo atorado en el orificio de disparo

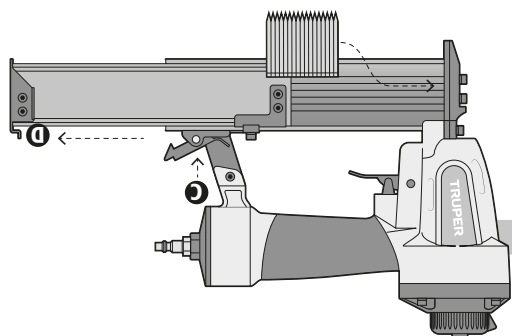
- Desconecte la herramienta del suministro de aire.
- Abra la boquilla atornillando los tornillos (D) con una llave hexagonal y jale el clavo con unas pinzas hasta removerlo (E).



Clavo atorado en el cartucho

- Desconecte la herramienta del suministro de aire.
- Abra el cartucho (F).
- Remueva el clavo atascado con unas pinzas.
- Cierre el cartucho.

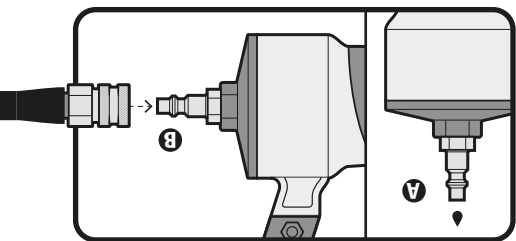




### Carga del cartucho

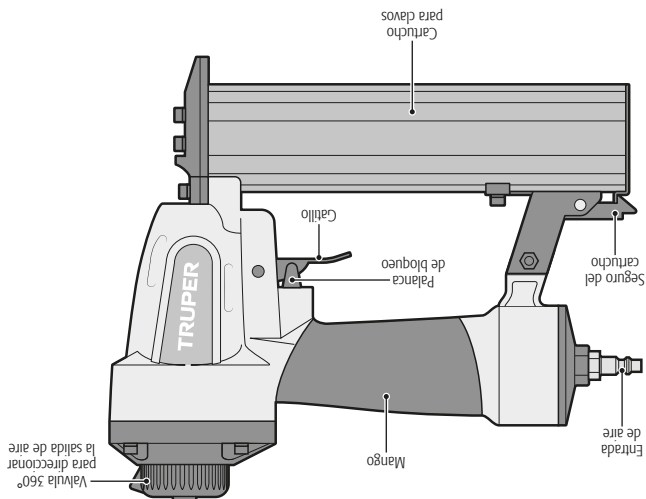
- Desconecte la manguera de aire de la herramienta.
- Abra el cartucho para clavos presionando el seguro del cartucho (C) esto permite liberar y desplazar hacia atrás la cubierta (D).
- Introduzca los clavos en el cartucho con las puntas hacia abajo. **¡ATENCIÓN!** Asegúrese de que los clavos no estén sucios o dañados.
- Cierre el cartucho empujando la cubierta y bloqueela con el seguro del cartucho.

- Conecte la manguera al compresor y deje correr un poco de aire por la manguera y el cople rápido para verificar que ambos estén limpios antes de conectarlos a la herramienta.
- Si no dispone de un filtro-aceitera como el recomendado en la página 5, aplique unas gotas de aceite para herramientas dentro de la entrada de aire (A).
- Conecte la manguera de aire a la herramienta por medio del cople rápido (B). **¡ATENCIÓN!** Antes de conectar la manguera a la herramienta asegúrese de que el cartucho para clavos se encuentre vacío.
- El cople rápido es útil para conectar y desconectar rápidamente las herramientas e intercambiarlas fácilmente.



### Conexión de la toma de aire

## Preparación



## Partes

# Advertencias de seguridad para uso de clavadoras neumáticas



## Antes de utilizar la clavadora

- Es necesario que tanto el operador como cualquier otra persona en el área de trabajo usen lentes de seguridad con protectores laterales, así como cascos protectores que cumplan con los estándares de la Norma Oficial Mexicana (NOM), para evitar posibles lesiones.
- Revise el estado de la herramienta. Nunca la opere si el seguro, el gatillo o los muelles son inoperantes, se encuentran dañados o han sido extraídos. No realice modificación alguna al seguro, el gatillo o los muelles.

## Mientras utiliza la clavadora

- Mantenga los dedos alejados del gatillo siempre que no esté usando la herramienta para prevenir disparos accidentales.
- No apunte la herramienta hacia ninguna parte de su cuerpo ni a otras personas o animales.
- Desconecte la herramienta del suministro de aire antes de cargar los clavos: esto evitará que uno de ellos sea disparado accidentalmente durante el proceso de conexión.
- No trate de insertar un clavo en el borde o cerca del borde de la pieza de trabajo. Si la pieza se llegara a romper o separar, esto causaría que los clavos botaran con fuerza suficiente para provocar lesiones.
- Dispare los clavos únicamente hacia la superficie de trabajo. Nunca los dispare hacia una superficie difícil de penetrar, hacia donde ya haya otro clavo o con la herramienta en un ángulo demasiado inclinado: esto podría causar que los clavos reboten, exponiendo al operador a serias lesiones.
- No intente cargar los clavos mientras el gatillo esté presionado. Esto haría que un clavo fuera disparado inesperadamente.
- Cuando mueva la herramienta, sosténgala únicamente del mango y nunca accione el gatillo mientras se encuentra en movimiento. Nunca transporte la herramienta sosteniéndola de la maniguera ni jale la maniguera para desplazar la herramienta.

## Después de utilizar la clavadora

- Desconecte la herramienta del suministro de aire antes de realizar cualquier labor de mantenimiento o desatascos; cuando se disponga a abandonar el área de trabajo o a cambiar la herramienta de lugar, o si piensa entregársela a otra persona.

# Control de riesgos

## al usar herramientas neumáticas



### Riesgo de lesión en cabeza y ojos



**ADVERTENCIA** • El aire comprimido que utilizan

los equipos neumáticos puede resultar peligroso. Objetos como abrazaderas, rebabas, astillas, polvo y otros residuos pueden ser impulsados por el flujo de aire a gran

velocidad a la cabeza o a los ojos. El flujo de aire por sí solo puede provocar daño en tejidos blandos como ojos, oídos, etc.

**ATENCIÓN** • Los adiantamientos de la herramienta se

pueden alinear o romper y proyectar partículas al

operador u otras personas en el área de trabajo.

- Siempre que opere equipo neumático utilice lentes de protección que cumplan con la norma ANSI Z87.1
- Siempre que opere equipo neumático utilice lentes de protección que cumplan con la norma ANSI S3.19
- Nunca dirija el flujo de aire a personas o animales.
- Desconecte la manguera de aire de la herramienta cuando no la esté utilizando.
- Jamás deje la herramienta conectada a la toma de aire sin atenderla.
- Antes de utilizar la herramienta verifique que todas sus partes y adiantamientos estén debidamente asegurados.

### Riesgo de explosión



**ADVERTENCIA** • El manejo

inadecuado de la presión de los

equipos neumáticos puede provocar

una explosión que ocasione lesiones

serias. Al igual que el uso de cualquier

gas que no sea aire comprimido.

- Antes de utilizar la herramienta asegúrese que la fuente de aire comprimido esté regulada a la presión especificada para la herramienta y no rebase ese nivel.
- Jamás conecte la herramienta a una fuente de presión que exceda los 1 380 kPa (200 PSI), o de oxígeno ni cualquier otro gas embotellado, combustible o reactivo.
- Use aire comprimido limpio, seco y regulado, a una presión de entre 517 kPa y 758 kPa (75 PSI y 110 PSI).

### Riesgo de pérdida auditiva



**ADVERTENCIA** • Exponerse al ruido generado por

las herramientas neumáticas por largos periodos puede

dañar el oído permanentemente provocando pérdida de

audición.

### Para prevenir pérdida auditiva



- Siempre que opere equipo neumático utilice protección auditiva que cumpla con la norma ANSI S3.19

### Riesgo de lesiones



**ADVERTENCIA** • Las mangueras

dañadas pueden estallar y provocar lesiones

serias o sordera.

Las abrazaderas pueden soltarse y ser proyectadas

causando lesiones serias o daños a propiedad.

Las herramientas que arrancan

accidentalmente pueden provocar lesiones

serias.

Las herramientas y accesorios que no

reciben el mantenimiento adecuado pueden

provocar lesiones serias.

Las herramientas y accesorios dañados o

golpeados pueden provocar lesiones serias.

• No utilice herramientas y accesorios con partes dañadas o golpeadas.

• Siempre que opere equipo neumático utilice lentes de protección que cumplan con la norma ANSI Z87.1

• Siempre que opere equipo neumático utilice lentes de protección que cumpla con la norma ANSI S3.19

• Nunca dirija el flujo de aire a personas o animales.

• Desconecte la manguera de aire de la herramienta cuando no la

esté utilizando.

• Jamás deje la herramienta conectada a la toma de aire sin atenderla.

• Mantenga las herramientas limpias. Una herramienta bien cuidada y

lubricada brinda un funcionamiento más efectivo y es más fácil

controlarla.

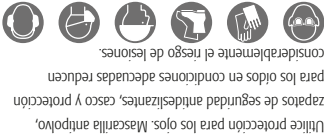
• Cualquier reparación solo puede ser realizada en un Centro de

Servicio Autorizado **TRUPER**.

### Para prevenir lesiones

- Asegúrese que todas las conexiones se encuentren correctamente instaladas.
- Nunca cargue la herramienta tomándola por el gatillo.
- Desconecte la manguera de aire de la herramienta cuando no la esté utilizando.
- Jamás deje la herramienta conectada a la toma de aire sin atenderla.
- Mantenga las herramientas limpias. Una herramienta bien cuidada y lubricada brinda un funcionamiento más efectivo y es más fácil controlarla.
- Cualquier reparación solo puede ser realizada en un Centro de Servicio Autorizado **TRUPER**.
- No utilice herramientas y accesorios con partes dañadas o golpeadas.

# Advertencias generales de seguridad para herramientas neumáticas



**⚠️ ATENCIÓN** Utilice equipo adecuado de protección personal. Utilice protección para los ojos. Mascarilla antipolvo, zapatos de seguridad antideslizantes, casco y protección para los oídos en condiciones adecuadas reducen considerablemente el riesgo de lesiones.

**⚠️ PELIGRO** Desconecte la manguera de aire de la herramienta antes de darle mantenimiento o cambiar sus accesorios. Para evitar incendios accidentales que deriven en accidentes.

**⚠️ ADVERTENCIA** Nunca utilice la herramienta si el interruptor no funciona o no está debidamente ensayada. De hacerlo se expone a lesiones personales graves, repárela inmediatamente en un Centro de Servicio Autorizado **TRUPER**.

**⚠️ ATENCIÓN** No sobre extienda su campo de acción. Un buen apoyo y equilibrio permiten un mejor control de la herramienta en situaciones inesperadas.

**⚠️ ADVERTENCIA** Nunca tire de la manguera de aire. No la use para cargar la herramienta o desconectarla de la toma de aire. Las mangueras dañadas o enredadas pueden reventar y lanzar residuos al operador.

**⚠️ ADVERTENCIA** Evite incendios accidentales. Asegúrese de que la toma de aire está desconectada antes de lubricar, colocar accesorios o dar mantenimiento a la herramienta.

**⚠️ PELIGRO** Retire cualquier llave de ajuste antes de encender la herramienta. Herramientas adicionales o llaves colocadas en una pieza giratoria de la herramienta puede provocar lesiones personales graves.

**⚠️ ATENCIÓN** Dele mantenimiento a la herramienta y cerciórese que se encuentra en condiciones óptimas antes de utilizarla. Revise cuidadosamente sus partes móviles, su alineación y montaje. Haga lo periódicoamente. Busque cualquier elemento dañado o pieza que no funcione adecuadamente para su inmediata reparación en un Centro de Servicio Autorizado **TRUPER**.

**⚠️ ATENCIÓN** Accesorios. Utilice sólo los accesorios o relaciones indicados en este instructivo o certificados por **TRUPER**.

**⚠️ ATENCIÓN** Nunca deje la herramienta en marcha sin supervisión. Desconecte la herramienta de la toma de aire después de operarla y antes de dejarla para evitar accidentes graves.

Mantenga su área de trabajo limpia, ordenada y bien iluminada.  
**⚠️ ATENCIÓN** Áreas desordenadas y oscuras pueden provocar accidentes.

**⚠️ PELIGRO** Nunca utilice la herramienta en ambientes explosivos, o en presencia de líquidos inflamables o sin ventilación. Las chispas que genera la herramienta podría provocar una explosión o incendio.

**⚠️ ADVERTENCIA** Mantenga a los niños y a otras personas a una distancia segura mientras utiliza la herramienta. Las distracciones pueden hacerle perder el control y provocar accidentes.

**⚠️ PELIGRO** Evite hacer contacto con líneas y circuitos eléctricos. Ubique y evite todas las líneas y circuitos eléctricos, especialmente el cableado oculto. Así como cualquier objeto conectado a tierra.

**⚠️ ATENCIÓN** Éste siempre alerta, sea prudente y utilice el sentido común. No deje que la familiaridad con el uso de la herramienta lo distraiga mientras la utiliza. Ésto puede provocar accidentes.

**⚠️ PELIGRO** No utilice la herramienta si está cansado, o bajo la influencia de drogas, alcohol o medicamentos. Un momento de distracción mientras utiliza la herramienta puede provocar lesiones personales graves.

Utilice la herramienta con todas sus piezas en su lugar y en buen estado.  
**⚠️ ADVERTENCIA** De no hacerlo se expone a lesiones personales graves.

Asegure y apoye adecuadamente la pieza de trabajo.  
**⚠️ ATENCIÓN** Utilice abrazaderas y una superficie de trabajo estable.

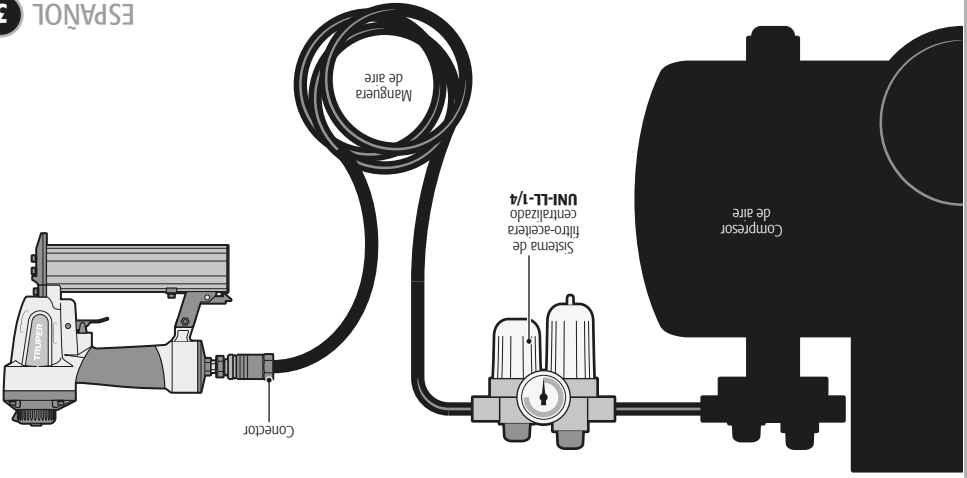
Nunca fuerce la herramienta.  
**⚠️ ATENCIÓN** Trabajar dentro del rango para el que fue diseñada asegura un mejor trabajo y es más seguro.

Guarde la herramienta en un lugar seguro fuera del alcance de los niños.  
**⚠️ ADVERTENCIA** Las herramientas neumáticas son peligrosas en manos inexpertas.

Utilice la indumentaria adecuada.  
**⚠️ ADVERTENCIA** La ropa suelta, joyas o cabello largo pueden ser atrapados por las piezas móviles.

Mantenga las manos alejadas de las partes giratorias y/o móviles.  
**⚠️ ADVERTENCIA** De no hacerlo se expone a lesiones personales graves como cortes, quemaduras o aplastamiento.





**⚠ ATENCIÓN** El polvo, agua y la falta de lubricación para herramientas neumáticas son la causa principal de las fallas potenciales de la herramienta. Se recomienda la instalación de un sistema de filtro-aceitera centralizado **UNL-LL-1/4** marca **TRUPER**. Este sistema asegura la lubricación reduciendo el consumo de aceite en un 80%, lo que incrementa significativamente la calidad del aire que respira el operador.

- El sistema de filtro-aceitera debe regularse para que administre de 3 a 6 gotas por minuto.
- Drene el agua del tanque del compresor de aire así como la condensación de las mangueras antes de usar la herramienta. Consulte el instructivo del compresor.

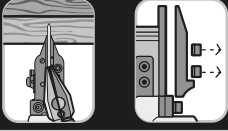
## Requerimientos de filtrado y lubricación

**⚠ ATENCIÓN** Se debe considerar el aumento en la presión de línea o el diámetro interior de la manguera para compensar el uso de mangueras muy largas (más de 8 metros). El diámetro interior mínimo de la manguera debe ser de 9,5 mm (3/8") y los conectores deben ser de 1/4 NPT. Use coples y accesorios de buena calidad y del tamaño adecuado.

• Código	13179
• Descripción	Clavadora neumática
• Presión de operación recomendada	75 PSI (517 kPa) - 110 PSI (758 kPa)
• Máxima presión permitida	110 PSI (758 kPa)
• Capacidad del cartucho	100 clavillos
• Calibre de clavo	23 (0.7 mm)
• Largo de clavo	15/32" (12 mm) a 1-3/16" (30 mm)
• Conexión de entrada de aire	1/4 NPT
• Diámetro interno de la manguera	3/8" (9.5 mm)

**CLNE-23**

Realice **MANTENIMIENTO** periódico a su máquina (página 9)



Trabaje a la **PRESIÓN INDICADA** para evitar que los clavos se atasquen. En caso de que esto suceda **RETIRE EL CLAVO** antes de seguir trabajando.



Utilice solo en **MADERA**.



No opere sin lubricar (se recomienda usar el filtro lubricante **19238** UNI-LL-1/4).

# Recomendaciones de uso y cuidados

Los gráficos de este instructivo son para referencia, pueden variar del aspecto real de la herramienta.

Guarde este instructivo para futuras referencias.

Para poder sacar el máximo provecho de la herramienta, alargar su vida útil, hacer válida la garantía en caso de ser necesario y evitar riesgos o lesiones graves, es fundamental leer este instructivo por completo antes de usar la herramienta.

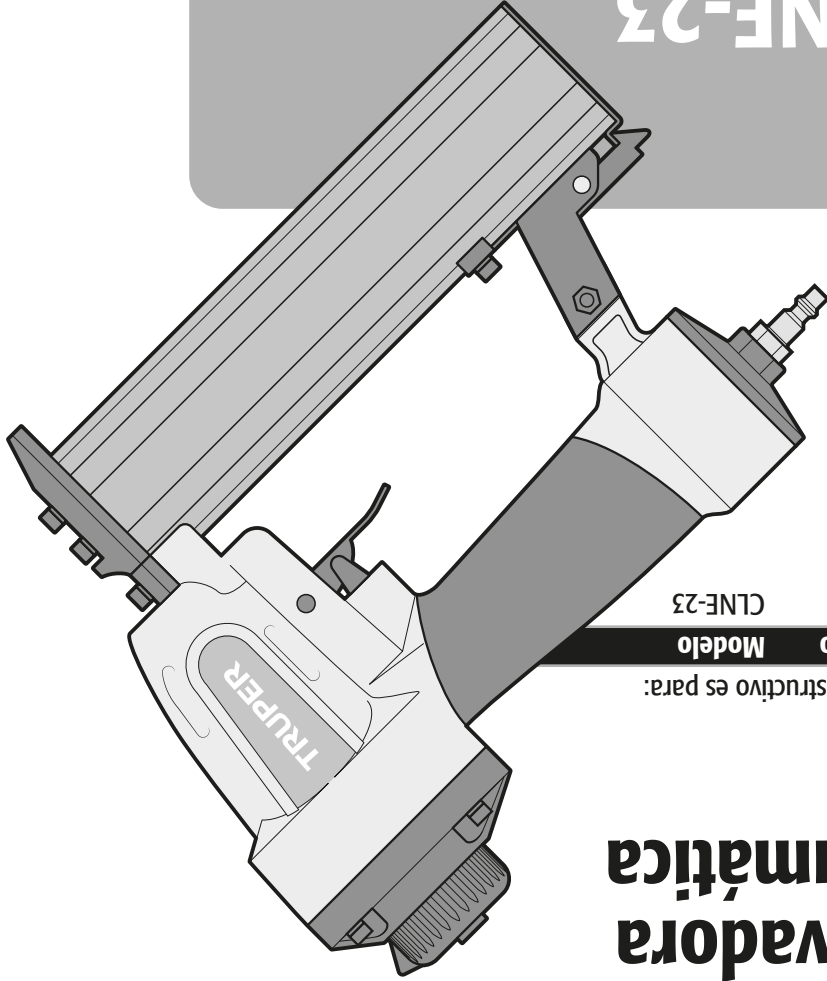
## ATENCIÓN

## Índice

- 3 Especificaciones técnicas
- 3 Requerimientos de filtrado y lubricación
- 4 Advertencias generales de seguridad para herramientas neumáticas
- 5 Control de riesgos al usar herramientas neumáticas
- 6 Advertencias de seguridad para uso de clavadoras neumáticas
- 7 Partes
- 7 Preparación
- 8 Puesta en marcha
- 9 Mantenimiento
- 9 Solución de problemas
- 10 Notas
- 11 Centros de servicio autorizados
- 12 Póliza de garantía

Instructivo de  
**Clavadora  
neumática**

Este Instructivo es para:  
**Código** 13179  
**Modelo** CLNE-23



**CLNE-23**

**ADVERTENCIA**

Lubricación constante.



**ATENCIÓN**

Lea este Instructivo por completo  
antes de usar la herramienta.

