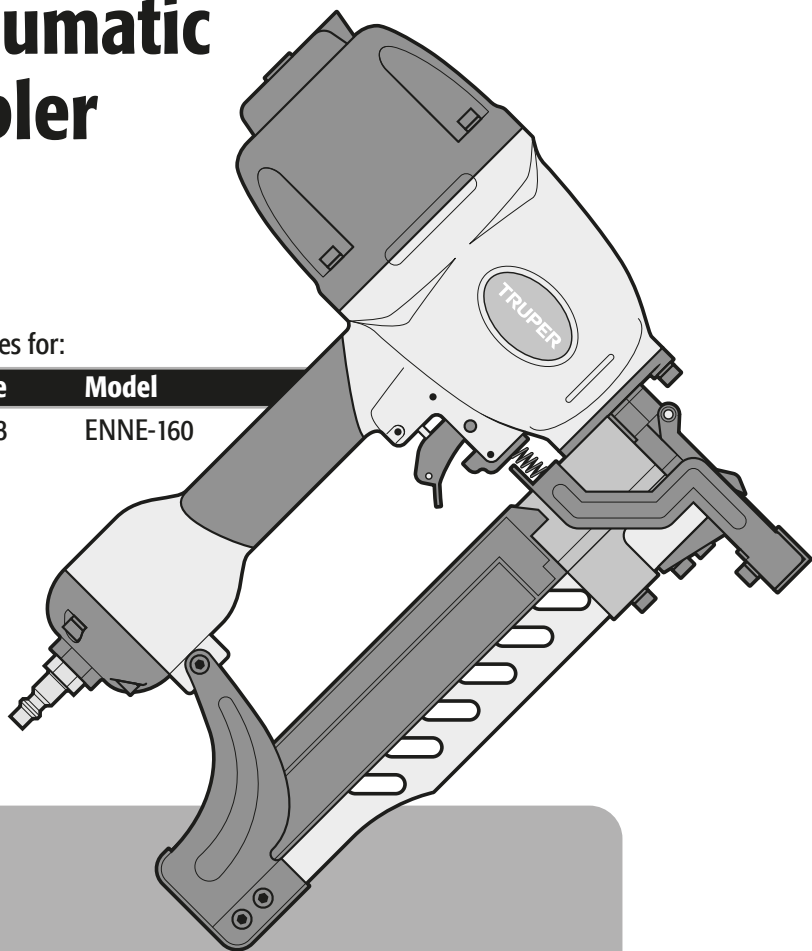


Manual

Pneumatic stapler

Applies for:

Code	Model
13178	ENNE-160



ENNE-160

⚠ WARNING

Constant lubrication.

⚠ CAUTION



Read this manual thoroughly before using the tool.



Technical data	3
Filter and lubrication requirements	3
 Safety warnings for pneumatic tools	4
 Risk control when using pneumatic tools	5
 Safety warnings for using air staplers	6
Parts	7
Setup	7
Start up	8
Maintenance	9
Troubleshooting	10
Notes	10
Authorized service centers	11
Warranty policy	12

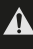
CAUTION

To gain the best performance of the tool, prolong the duty life, make the Warranty valid if necessary, and to avoid hazards of fatal injuries please read and understand this Manual before using the tool.


Keep this manual for future references.

The illustrations in this manual are for reference only. They might be different from the real tool.

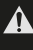
Use and care recommendations

 Do not operate without lubrication (it is recommended to use the Truper lubricating filter **19238** UNI-LL-1/4).



 Use only in **WOOD**.



 Work at the **INDICATED PRESSURE** to prevent staples from clogging. In case this happens **REMOVE THE STAPLE** before continuing working.



 Perform periodic **MAINTENANCE** to your machine (page 9).


Technical data

ENNE-160

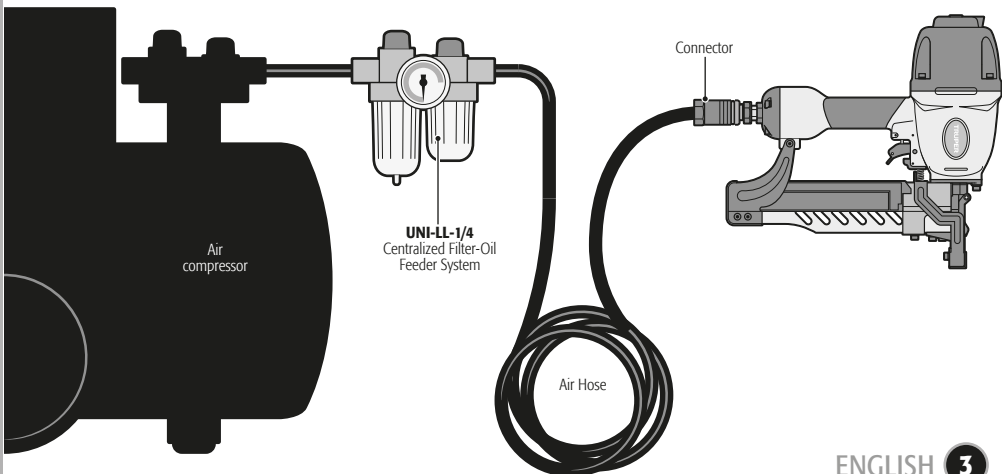
Code	•	13178
Description	•	Pneumatic stapler
Recommended operation pressure	•	75 PSI- 110 PSI
Maximum pressure allowed	•	110 PSI
Cartridge capacity	•	100 staples
Staple gauge	•	16
Staple Crown	•	7/16"
Staple length	•	3/4" to 2"
Air intake connection	•	1/4 NPT
Hose inner diameter	•	3/8"

CAUTION An increase in the pressure in the line or the inner diameter in the hose diameter shall be considered to compensate the use of very long hoses (longer than 26.2 ft). The hose minimum inner diameter shall be 3/8" and the connectors shall be 1/4 NPT. Use good quality couplings and accessories with the right size.

Filter and lubrication requirements

CAUTION Dust, water and oil specific for using in pneumatic tools are the main cause of potential flaws with the tool. We recommend installing a  **TRUPER** Brand **UNI-LL-1/4** centralized filter-oil feeder system. This system assures lubrication reducing 80% oil consumption significantly increasing the air quality the operator breaths.

- The filter-oil feeder system must be regulated to administer 3 to 6 drops a minute.
- Drain the water in the air compressor tank and also condensation in the hoses before using the tool. Consult the air compressor instructions.





Keep your work area clean, tidy and well lit.

CAUTION Cluttered and dark areas can cause accidents.



Never use the tool in explosive environments or in the presence of flammable liquids or with no ventilation.

DANGER Sparks generated by the tool could cause explosion or fire.



Keep children and other people at a safe distance while using the tool.

WARNING Distractions can make loose control and cause accidents.



Avoid making contact with power lines and circuits.

DANGER Place an avoid power lines and circuits especially hidden wiring including grounded objects.



Stay alert, be cautious and use common sense.

CAUTION Familiarity with the use of the tool could distract you while operating it. This can cause accidents.

Do not use the tool if tired or under the influence of drugs, alcohol or medication.

DANGER A moment distraction while using the tool can cause severe personal injury.

Use the tool with its pieces in place and in good repair.

WARNING Failure to comply with this instruction can expose you to severe injury.

Secure and support correctly the work piece.

CAUTION Use vices and a stable work surface.

Never force the tool.

CAUTION Working within the tool design range assures a better and safer job.



Store the tool in a safe place away from children reach.

WARNING Pneumatic tools are dangerous in inexperienced hands.



Wear the right clothing.

WARNING Loose clothing, jewelry or long hair can get caught in the moving parts.



Keep hands away from the moving and / or rotating parts.

WARNING Failure to comply with this warning expose you to severe personal injury such as cuts, burns and crushing.



Wear the adequate personal protection equipment.

CAUTION Use of eye protection, dust mask, anti-squid safety shoes, and protection helmet and safety gloves considerably reduce risk of injuries.



Disconnect the air hose from the tool before servicing or changing accessories.

CAUTION To prevent the tool from accidentally start and cause accidents.

Never use the tool if the switch is not working or if it is not correctly assembled.

WARNING Using the tool in disrepair expose you to severe personal injury. Repair immediately in a **TRUPER** Authorized Service Center.

Do not overreach.

WARNING Good footing and balance allow having better control on the tool in unexpected situations.

Never pull the air hose.

CAUTION Do not use the hose to carry the tool or disconnect it from the air supply. Damaged or tangled hoses may burst and shoot residues towards the operator.

Prevent accidentally starting of the tool.

WARNING Double check the air intake is disconnected before lubricating, setting accessories or servicing the tool.



Remove all the vices before starting the tool.

WARNING Additional tools, or vices set onto a rotating piece in the tool may cause severe personal injury.

Service the tool and verify it is in excellent conditions before using it.

DANGER Double-check carefully all the mobile parts, alignment and assembly. Do this inspection regularly. Look for any damaged element or malfunctioning part. Replace immediately in a **TRUPER** Authorized Service Center.



Accessories.

CAUTION Use only accessories or spare parts indicated in this MANUAL or certified by **TRUPER**.

Never leave the tool running unattended.

CAUTION Disconnect the tool from the air supply after operating and before storing in a safe place to prevent accidents.

Risk control

when using pneumatic tools




Injury risk to head and eyes



WARNING • Compressed air used with pneumatic tools may be dangerous. Objects like vices, burr, splinters, dust and other residues can get shot out at great speed driven by the airflow and enter your eyes or hit your head. Airflow by itself can cause damage on soft tissues in eyes, ears, etc.

CAUTION • The tool attachments may come free or break, sending debris towards the operator or those working nearby.

Prevent injury to head and eyes

- When operating pneumatic equipment wear protecting eyeglasses complying with ANSI Z87.1 Standard. As an additional protection wear a mask. 
- Never aim the airflow to people or animals.
- Disconnect the air hose from the tool when not in use.
- Never leave the tool unattended when connected to the air inlet.
- Before using the tool verify all the parts and accessories are securely fastened.

Risk of explosion



WARNING • Inadequate handling of pressure in pneumatic equipment may cause an explosion and severe injury. Also, using any gas different from compressed air causes explosions.

Preventing an explosion


- Before using the tools double-check that the compressed air supply is regulated to the tool specified pressure and it not goes over that level.
- Never connect the tool into a pressure supply exceeding 200 PSI, neither oxygen nor any other bottled gas, combustible or reactive.
- Use clean, dry and regulated compressed air with pressure between 75 PSI and 110 PSI

Hearing loss risk



WARNING • Being exposed to noise generated by pneumatic tool during long periods of time may damage permanently hearing and cause hearing loss.

Preventing hearing loss

- When operating pneumatic equipment always wear hearing protection complying with ANSI S3.19 Standard. 

Risk of injury



WARNING • Damaged hoses may burst and cause severe injury or hearing loss.

Preventing injuries

- Do not mistreat the hose or connectors.
- Keep the hose away from sharp or abrasive surfaces.
- Disconnect the hose when loading the cartridge.
- Never use the hose to carry the tool.
- Never pull the hose to disconnect the tool.
- Do not expose the hose to heat, oil or solvents.
- Before operating the tool, verify that the hoses are not damaged.
- Use hoses that can handle at least 150 PSI or 150% of the system maximum pressure, whichever is higher.


• Vices can get unfastened and get projected causing severe injury or damage to property.

• Double-check all connections are securely installed.

• Tools that start unexpectedly may cause severe injury.

- Never carry the tool by the trigger.
- Disconnect the tool air hose when not in use.
- Never leave the tool unattended when connected to the air supply.

• Tools and accessories with no maintenance may cause severe injury.

- Keep all tools clean. A clean and lubricated tool works more effectively and is easier to control.
- All repairs can only be carried out in a  **TRUPER** Authorized Service Center.

• Damaged and banged tools and accessories may cause severe injury.

• Do not use damaged or banged tools or accessories.

Before using the stapler

- To prevent possible injuries, the operator and any other person in the work area shall wear safety glasses with side protection as well as protective helmets in compliance with the Official Mexican Standards (NOM).
- Inspect the tool. Never operate a tool if the lock, the trigger or the springs are not operating; are damaged or lost. Do not make any modification to the lock, trigger or springs.

While using the stapler

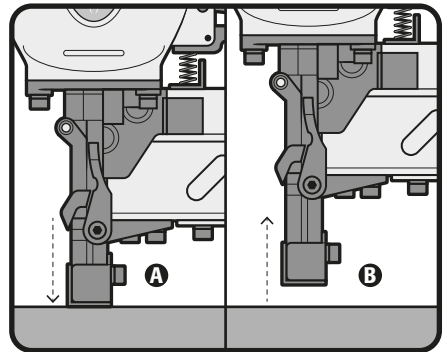
- To prevent accidental shots keep your fingers away from the trigger when the tool is not been used.
- Do not point the tool towards your body, people or animals.
- Disconnect the tool from the air supply before loading staples. Thus, preventing a staple will accidentally be shot during the connection process.
- Do not try to insert a staple on the edge or near the edge of the work piece. If the piece breaks or separates, it would shoot the staples with enough power to cause injury.
- Shoot staples only towards the work surface. Never shoot towards surfaces hard to penetrate on top of another staple or having the tool in steep angle. This could make the staples to bounce exposing the operator to severe injury.
- Do not try to load staples when the trigger is pressed. This action shoots a staple unexpectedly.
- When moving the tool, only hold it by the handle. Never activate the trigger while moving. Never carry the tool holding it by the hose or pulling the hose to move the tool.

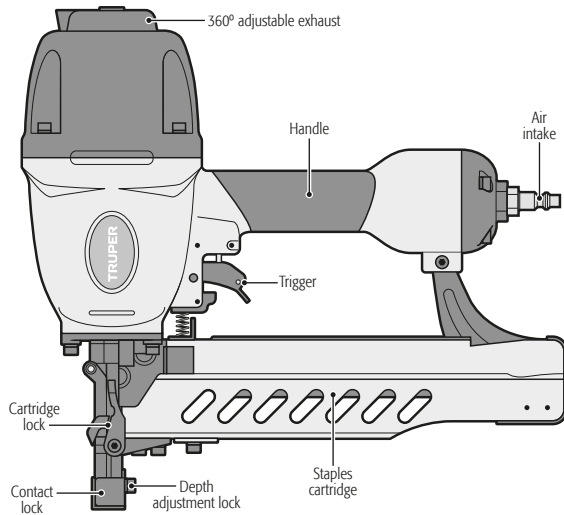
After using the stapler

- Disconnect the stapler from the air supply before carrying out any maintenance or unblocking job when leaving the work area or if giving it to another operator.

How to verify the correct use of the lock

- The tool is built with a contact lock to prevent an accidental shot.
- To verify its functioning disconnect the tool from the air supply.
- Empty the cartridge (see page 7).
- Double-check the trigger and contact lock can move freely up and down.
- Connect the tool to the air supply.
- Without pressing the trigger press the contact lock against a piece of scrap wood (**A**). The tool should not shoot. Otherwise stop using it and go to a **TRUPER®** Authorized Service Center to repair.
- Remove the contact lock from the wood piece (**B**). The lock shall return to its original position and when pressing the trigger the tool should not shoot. Otherwise stop using it and go to a **TRUPER®** Authorized Service Center to repair.

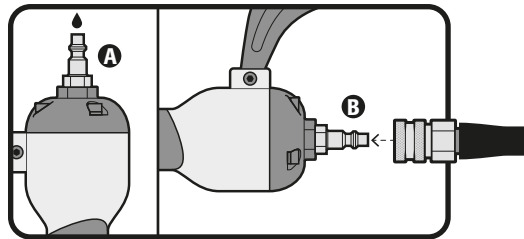




Setup

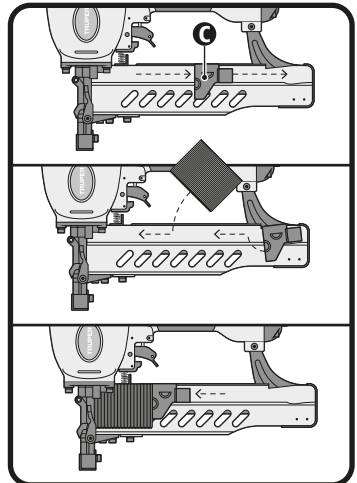
Air Supply Connection

- Before connecting to the tool, connect the hose to the compressor and let some air run through the hose and coupling, to verify both are clean.
- If a filter-oil feeder similar to the one recommended in page 3 is not available apply a few drops of oil suitable for tools into the air inlet **(A)**.
- Connect the air hose to the tool with an empty cartridge using a fast coupling **(B)**. **⚠ CAUTION** Before connecting the hose to the tool double check the staple cartridge is empty.
- The fast coupling is very useful to quickly connect and disconnect the tool and interchange them easily.



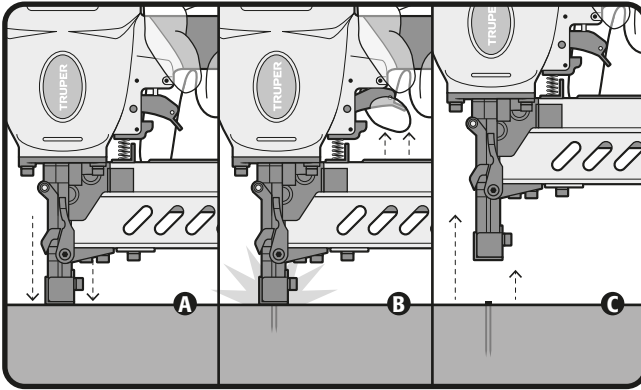
Cartridge Loading

- Disconnect the air hose from the tool.
- Verify that the machine has no pressure and there are no staples stuck.
- Pull the retainer **(C)** until it snaps and stops at the rear notch of the cartridge.
- Place the staples on the cartridge by passing its tips on both sides of the cartridge.
- **⚠ CAUTION** Make sure staples are not dirty or damaged.
- Lift the retainer to release it from the notch and push the staples toward the trigger mechanism.



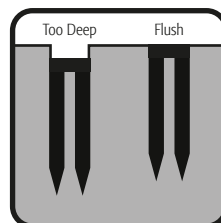
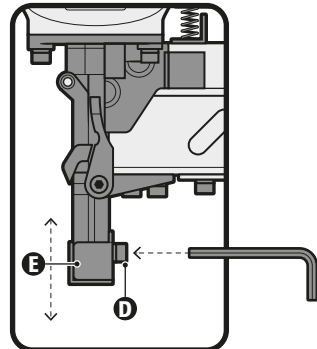
Operation

- Turn on the compressor and fill it.
- Regulate the air compressor output pressure to 75 PSI and 110 PSI
- **⚠ WARNING** The tool operates with this pressure range. If operating with a higher pressure ranges the useful life of the tool will be decreased.
- Load the cartridge as indicated on page 7.
- **⚠ CAUTION** Use a piece of scrap wood to verify the tool works correctly.
- Not putting your finger on the trigger position the tool and press the contact lock against the surface to be used **(A)**.
- Without lifting the tool press the trigger to shoot **(B)**.
- Immediately release the trigger and lift the tool **(C)**.
- Position the tool back for subsequent shots.
- In case the staples are not penetrating deep enough, slightly lift the air pressure until reaching the right penetration force.
- **⚠ WARNING** Remember not to exceed 110 PSI



Depth regulator

- **⚠ CAUTION** Disconnect the tool from the air supply before attempting to disassemble any parts.
- Loosen the screw **(D)** with a hex wrench.
- Move the sliding shoe **(E)** down (away from the tip) to decrease the depth or up (towards the tip) to increase the depth.
- Tighten the screw with a 4 mm hex wrench.

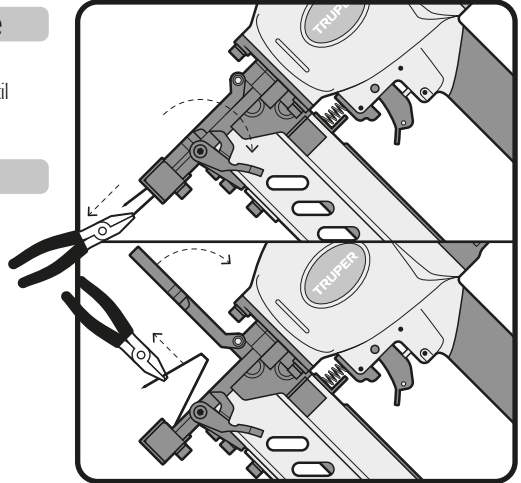


Blocked staple in the shooting orifice

- Disconnect the tool from the air supply.
- Open the nozzle and pull the staple using pliers until removed.

Blocked staple in the cartridge


- Unplug the tool from the air supply.
- Open the trigger mechanism as shown in the chart.
- Remove the jammed staple using pliers.
- Close the cartridge.



Maintenance

Lubrication


• Pneumatic tools require constant lubrication all along their working life and while operating. The compressed air the tool needs to function contains humidity that can oxidize the tool's motor and bearings.

To prevent that possibility it is necessary to constantly administer lubricating oil delivered by a  Brand **UNI-LL-1/4** centralized filter-oil feeder system installed between the air compressor and the tool.


⚠ WARNING • The exhaust immediately expels any excess oil in the motor. Always keep the exhaust free of obstructions and never point it to people or objects.

- If the tool is not going to be used long periods of time it should be carefully lubricated.
- After each 60 hours operation the tool mechanism needs greasing. Keep in mind that grease in excess may diminish power

Service

• Servicing the tool shall be carried out every 3 months in a  Authorized Service Center.

Maintenance service carried out by a non-qualified person may be dangerous and cause personal injury. It also makes the Warranty void.

• Problems with the tool due to lack of recommended dosed lubrication, to fail in following instructions given in this MANUAL or repairs carried out by personnel not certified by  will not be covered in the Warranty. We reserve the right to make technical improvements without previous notice.

Problem

Cause

Solution


Air leak in the upper side of the tool or in the trigger area.

- Loose screws.
- Worn "O"-rings or damaged seals.

- Fasten all the screws.
- Go to a  **TRUPER®** Authorized Service Center to replace the parts.

The tool is not operating or goes to slow.

- Inadequate air supply.
- Inadequate lubrication.
- Worn "O"-rings or damaged seals.

- Regulate the air feeding pressure.
- Lubricate following instructions indicated in this manual.
- Go to a  **TRUPER®** Authorized Service Center to replace the parts.

Leak in the lower side of the tool.

- Loose screws.
- Worn "O"-rings or damaged seals.

- Fasten all the screws.
- Go to a  **TRUPER®** Authorized Service Center to replace the parts.

The tool gets blocked frequently.

- Wrong staples.
- Damaged staples.
- Loose cartridge or nozzle screw.
- Dirty cartridge.
- The shooting mechanism is damaged or worn.

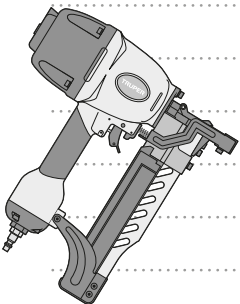
- Check the staples have the right size.
- Replace with staplers in good repair.
- Fasten the screws.
- Clean the cartridge.
- Go to a  **TRUPER®** Authorized Service Center to replace the parts.

Other problems.

- Diverse reasons.


- Go to a  **TRUPER®** Authorized Service Center to replace the parts.

Notes



In the event of any problem contacting a Truper Authorized Service Center, please see our webpage www.truper.com to get an updated list, or call our toll-free numbers **800 690-6990** or **800-018-7873** to get information about the nearest Service Center.

AGUASCALIENTES	DE TODO PARA LA CONSTRUCCIÓN GRAL. BARRAGÁN #1201, COL. GREMIAL, C.P. 20030, AGUASCALIENTES, AGS. TEL.: 449 994 0537	MORELOS	FIX FERRETERÍAS CAPITÁN ANZURES #95, ESQ. JOSÉ PERDIZ, COL. CENTRO, C.P. 62740, CUAUTLA, MOR. TEL.: 735 352 8931
BAJA CALIFORNIA	SUCURSAL TIJUANA AV. LA ENCANTADA, LOTE #5, PARQUE INDUSTRIAL EL FLORIDO II, C.P. 22244, TIJUANA, B.C. TEL.: 664 969 5100	NAVARIT	HERRAMIENTAS DE TEPEC MAZATLAN #117, COL. CENTRO, C.P. 63000, TEPEC, NAY. TEL.: 311 258 0540
BAJA CALIFORNIA SUR	FIX FERRETERÍAS FELIPE ÁNGELES ESQ. RUIZ CORTÍNEZ S/N, COL. PUEBLO NUEVO, C.P. 23670, CD. CONSTITUCIÓN, B.C.S. TEL.: 613 132 1115	NUEVO LEÓN	SUCURSAL MONTERREY CARRETERA LAREDO #300, 1B MONTERREY PARKS, COLONIA PUERTA DE ANÁHUAC, C.P. 66052, ESCOBEDO, NUEVO LEÓN, TEL.: 81 8352 8791 / 81 8352 8790
CAMPECHE	TORNILLERÍA Y FERRETERÍA AAA AV. ÁLVARO OBREGÓN #324, COL. ESPERANZA C.P. 24080 CAMPECHE, CAMP. TEL.: 981 815 2808	OAXACA	FIX FERRETERÍAS AV. 20 DE NOVIEMBRE #910, COL. CENTRO, C.P. 68300, TUXTEPEC, OAX. TEL.: 287 106 3092
CHIAPAS	FIX FERRETERÍAS AV. CENTRAL SUR #27, COL. CENTRO, C.P. 30700, TAPACHULA, CHIS. TEL.: 962 118 4083	PUEBLA	SUCURSAL PUEBLA AV. PERIFÉRICO #2-A, SAN LORENZO ALMECATLA, C.P. 72710, CUAUTLACINGO, PUE. TEL.: 222 282 8282 / 84 / 85 / 86
CHIHUAHUA	SUCURSAL CHIHUAHUA AV. SILVESTRE TERRAZAS #128-11, PARQUE INDUSTRIAL BAFAR, CARRETERA MÉXICO CUAUHTEMOC, C.P. 31415, CHIHUAHUA, CHIH. TEL.: 614 434 0052	QUERÉTARO	ARU HERRAMIENTAS S.A DE C.V. AV. PUERTO DE VERACRUZ #110, COL. RANCHO DE ENMEDIO, C.P. 76842, SAN JUAN DEL RÍO, QRO. TEL.: 427 268 4544
CIUDAD DE MÉXICO	FIX FERRETERÍAS EL MONSTRUO DE CORREGIDORA, CORREGIDORA # 35, COL. CENTRO, C.P. 06060, CUAUHTEMOC, CDMX. TEL.: 55 5522 5051 / 5522 4861	QUINTANA ROO	FIX FERRETERÍAS CARRETERA FEDERAL MZ. 46 LT. 3 LOCAL 2, COL. EIJALD, C.P. 77710 PLAYA DEL CARMEN, Q.R. TEL.: 984 267 3140
COAHUILA	SUCURSAL TORREÓN CALLE METAL MECÁNICA #280, PARQUE INDUSTRIAL ORIENTE, C.P. 27278, TORREÓN, COAH. TEL.: 871 209 68 23	SAN LUIS POTOSÍ	FIX FERRETERÍAS AV. UNIVERSIDAD #1850, COL. EL PASEO, C.P. 78320, SAN LUIS POTOSÍ, S.L.P. TEL.: 444 822 4341
COLIMA	BOMBAS Y MOTORES BYMTESA DE MANZANILLO BLVD. MIGUEL DE LA MADRID #190, COL. 16 DE SEPTIEMBRE, C.P. 28259, MANZANILLO, COL. TEL.: 314 332 1986 / 332 8013	SINALOA	SUCURSAL CULIACÁN AV. JESÚS KUMATE SUR #4501, COL. HACIENDA DE LA MORA, C.P. 80143, CULIACÁN, SIN. TEL.: 667 173 9139 / 173 8400
DURANGO	TORNILLOS ÁGUILA, S.A. DE C.V. MAZURIO #200, COL. LUIS ECHEVERRÍA, DURANGO, DGO. TEL.: 618 817 1946 / 618 818 2844	SONORA	FIX FERRETERÍAS CALLE 5 DE FEBRERO #517, SUR LT. 25 MZ. 10, COL. CENTRO, C.P. 85000, CD. OBREGÓN, SON. TEL.: 644 413 2392
ESTADO DE MÉXICO	SUCURSAL CENTRO JILOTEPEC PARQUE INDUSTRIAL # 1, COL. PARQUE INDUSTRIAL JILOTEPEC, JILOTEPEC, EDO. DE MÉX. C.P. 54257 TEL.: 761 782 9101 EXT. 5728 Y 5102	TABASCO	SUCURSAL VILLAHERMOSA CALLE HELIO LOTES 1, 2 Y 3 MZ. #1, COL. INDUSTRIAL, 2A ETAPA, C.P. 86010, VILLAHERMOSA, TAB. TEL.: 993 355 7244
GUANAJUATO	ÍA. FERRETERA NUEVO MUNDO S.A. DE C.V. AV. MÉXICO - JAPÓN #225, CD. INDUSTRIAL, C.P. 38010, CELAYA, GTO. TEL.: 461 617 7578 / 79 / 80 / 88	TAMAULIPAS	VM ORINGS Y REFACCIONES CALLE ROSITA #527 ENTRE 20 DE NOVIEMBRE Y GRAL. RODRÍGUEZ, FRACC. REYNOSA, C.P. 88780, REYNOSA, TAMS. TEL.: 899 926 7552
GUERRERO	CENTRO DE SERVICIO ECLIPSE CALLE PRINCIPAL MZI LT. 1, COL. SANTA FE, C.P. 39010, CHILPANCIÑO, GRO. TEL.: 747 478 5793	TLAXCALA	SERVICIOS Y HERRAMIENTAS INDUSTRIALES PABLO SIDAR #132, COL. BARRIO DE SAN BARTOLOMÉ, C.P. 90970, SAN PABLO DEL MONTE, TLAX. TEL.: 222 271 7502
HIDALGO	FERREPRECIOS S.A. DE C.V. LIBERTAD ORIENTE #504 LOCAL 30, INTERIOR DE PASAJE ROBLED0, COL. CENTRO, C.P. 43600, TULANCINGO, HGO. TEL.: 775 753 6615 / 775 753 6616	VERACRUZ	LA CASA DISTRIBUIDORA TRUPER BLVD. PRIMAVERA, ESQ. HORTENSIA S/N, COL. PRIMAVERA, C.P. 93308, POZA RICA, VER. TEL.: 782 823 8100 / 826 8484
JALISCO	SUCURSAL GUADALAJARA AV. ADOLFO B. HORN # 6800, COL: SANTA CRUZ DEL VALLE, C.P.: 45655, TLAJOMULCO DE ZUÑIGA, JAL. TEL.: 33 3606 5285 AL 90	YUCATÁN	SUCURSAL MÉRIDA CALLE 33 #600 Y 602, LOCALIDAD ITZINCAB Y MULSAV, MPIO. UMÁN, C.P. 97390, MÉRIDA, YUC. TEL.: 999 912 2451
MICHOACÁN	FIX FERRETERÍAS AV. PASEO DE LA REPÚBLICA #3140-A, COL. EX-HACIENDA DE LA HUERTA, C.P. 58050, MORELIA, MICH. TEL.: 443 334 6858		

Code	Model	Brand
13178	ENNE-160	 TRUPER®

Warranty. Duration: 2 year. Coverage: parts, components and workmanship against manufacturing or operating defects, except if used under conditions other than normal; when it was not operated in accordance with the instructive; was altered or repaired by personnel not authorized by **Truper®**. To make the warranty valid, present the product, stamped policy or invoice or receipt or voucher, in the establishment where you bought it or in Corregidora 35, Centro, Cuauhtémoc, CDMX, 06060, where you can also purchase parts, components, consumables and accessories. It includes the costs of transportation of the product that derive from its fulfillment of its service network. . Phone number **800-018-7873**. Made in China. Imported by Truper, S.A. de C.V. Parque Industrial 1, Parque Industrial Jilotepec, Jilotepec, Edo. de Méx. C.P. 54257, Phone number 761 782 9100.



2 YEARS

Stamp of the business. Delivery date:



2 AÑOS

Sello del establecimiento comercial. Fecha de entrega:

Garantía. Duración: 2 años. Cobertura: piezas, componentes y mano de obra contra defectos de fabricación o funcionamiento, excepto si se usó en condiciones distintas a las normales; cuando no fue operado conforme instructivo; fue alterado o reparado por personal no autorizado por **Truper®**. Para hacer efectiva la garantía presente el producto, póliza sellada o factura o recibo o comprobante, en el establecimiento donde lo compró o en Corregidora 35, Centro, Cuauhtémoc, CDMX, 06060, donde también podrá adquirir partes, componentes, consumibles y accesorios. Incluye los gastos de transportación del producto que deriven de su cumplimiento de su red de servicio. Tel. **800-018-7873**. Made in/Hecho en China. Importador **Truper, S.A. de C.V.** Parque Industrial 1, Parque Industrial Jilotepec, Jilotepec, Edo. de Méx. C.P. 54257, Tel. 761 782 9100.



Marca

Modelo

ENNE-160

Código

13178

Póliza de
garantía

TRUPER®

En caso de tener algún problema para contactar un Centro de Servicio Autorizado Truper® consulte nuestra página www.truper.com donde obtendrá un listado actualizado, o llame al: 800 690 6990 u 800-018-7873 donde le informarán cuál es el Centro de Servicio más cercano.

DE TODO PARA LA CONSTRUCCIÓN

AGUASCALIENTES
GRAL. BARRAGÁN #1201, COL. GEMINAL, C.P. 20030.
TEL.: 449 994 0557



BAJA CALIFORNIA

SUCURSAL TIJUANA
AV. LA ENCANTADA, LOTE #5, PARQUE INDUSTRIAL EL FLORIDO II, C.P. 22244, TIJUANA, B.C.
TEL.: 664 996 5100



BAJA CALIFORNIA SUR

FIX FERRERÍAS
FELIPE ANGELES ESQ. RUIZ CORTINEZ S/N, COL. PUEBLO NUEVO, C.P. 25670, CD. CONSTITUCIÓN, B.C.S.
TEL.: 615 152 1115



CAMPECHE

TORNILLERÍA Y FERRERÍA AAA
AV. ALVARO OBREGÓN #524, COL. ESPERANZA C.P. 24080 CAMPESQUE, CAMP. TEL.: 981 815 2808



CHIAPAS

FIX FERRERÍAS
AV. CENTRAL SUR #27, COL. CENTRO, C.P. 50700, TAPACHULA, CHI.S. TEL.: 962 118 4083



CHIHUAHUA

SUCURSAL CHIHUAHUA
AV. SILVESTRE TERREZAS #128-11, PARQUE INDUSTRIAL BARR, CARRETERA MÉXICO CUAHUATEMOC, C.P. 51415, CHIHUAHUA, CHIH. TEL.: 614 434 0052



CUADRO DE MEXICO

FIX FERRERÍAS
EL MONSTRUO DE CORECREGORRA, CORECREGORRA # 55, COL. CENTRO, C.P. 06060, CUAHUATEMOC, CDMX. TEL.: 55 522 5051 / 522 4861



COAHUILA

SUCURSAL TORREÓN
CALLE METAL MECÁNICA #280, PARQUE INDUSTRIAL ORIENTE, C.P. 27278, TORREÓN, COAH. TEL.: 871 209 68 25



COLIMA

BOMBAS Y MOTORES BYMTESA DE MANZANILLO
BLVD. MICHUEL DE LA MADRID #190, COL. 16 DE SEPTIEMBRE, C.P. 28259, MANZANILLO, COL. TEL.: 514 532 986 / 532 8015



DURANGO

TORNILLOS ÁGUILA, S.A. DE C.V.
MAZUHO #200, COL. LUIS ECHEVERRÍA, DURANGO, DGO. TEL.: 618 817 1946 / 618 818 2844



ESTADO DE MEXICO

SUCURSAL CENTRO JILOTEPEC
PARQUE INDUSTRIAL # 1, COL. PARQUE INDUSTRIAL JILOTEPEC, JILOTEPEC, EDO. DE MÉX. C.P. 54257
TEL.: 761 782 9101 EXT. 5728 Y 5102



GUANAJUATO

CLA FERRERÍA NUEVO MUNDO S.A. DE C.V.
AV. MÉXICO #225, CD. INDUSTRIAL, C.P. 38010, CELMA, GTO. TEL.: 461 617 5758 / 79 / 80 / 88



GUERRERO

CENTRO DE SERVICIO EQUIPES
CHILPANCIANGO, GRO. TEL.: 747 478 5795
CALLE PRINCIPAL MZ1 LT. 1, COL. SANTA FE, C.P. 39010, CHILPANCIANGO, GRO. TEL.: 747 478 5795



HIDALGO

FERRERECIOS S.A. DE C.V.
LIBERTAD ORIENTE #509A LOCAL 30, INTERIOR DE PASAJE ROBLEDO, COL. CENTRO, TULANGCO, HGO. TEL.: 775 752 6615 / 775 752 6616



JALISCO

SUCURSAL CAJALAJALA
AV. ADOLFO B. HORN # 6800, COL. SANTA CRUZ DEL VALLE, C.P. 45655, TLAJUAMULCO DE ZUNIGA, JAL. TEL.: 33 3606 5285 AL 90



MICHOACÁN

FIX FERRERÍAS
AV. PASO DE LA REPÚBLICA #3140-A, COL. EXHANGUENDA DE LA HUERTA, C.P. 58050, MORELIA, MICH. TEL.: 443 334 6858

MORELOS

FIX FERRERÍAS
CAPTÁN ANJUNES #95, ESQ. JOSÉ PERDIZ, COL. CENTRO, C.P. 62740, CUAUTLA, MOR. TEL.: 755 552 8931

NAHARRIT

HERRAMIENTAS DE TEPIC
MAZATLÁN #117, COL. CENTRO, C.P. 63000, TEPIC, NAY. TEL.: 311 258 0540

NUEVO LEÓN

SUCURSAL MONTERREY
CARRETERA LÁREDO #500, 18 MONTERREY PARKS, COLONIA PUERTA DE ANAHUAC, C.P. 66052, ESCOBEDO, NUEVO LEÓN, TEL.: 81 8532 8791 / 81 8532 8790

OAXACA

FIX FERRERÍAS
AV. 20 DE NOVIEMBRE #910, COL. CENTRO, C.P. 68300, TUXTEPEC, OAX. TEL.: 287 106 5092

PUEBLA

SUCURSAL PUEBLA
AV. PERIFÉRICO #2-A, SAN LORENZO AMATECATLA, C.P. 72710, CUAUTLACINGO, PUE. TEL.: 222 282 8282 / 84 / 85 / 86

QUERÉTARO

ARU HERRAMIENTAS S.A. DE C.V.
AV. PUERTO DE VERACRUZ #110, COL. RANCHO DE ENMEDIO, C.P. 76842, SAN JUAN DEL RÍO, QRO. TEL.: 472 268 4544

QUINTANA ROO

FIX FERRERÍAS
CARRETERA FEDERAL MZ. 46 LT. 3 LOCAL 2, COL. EJIDAL, C.P. 77710 PLANA DEL CARMEN, Q.R. TEL.: 984 267 3140

SAN LUIS POTOSÍ

FIX FERRERÍAS
AV. INDEPENDENCIA #1850, COL. EL PASO, C.P. 78320, SAN LUIS POTOSÍ, S.L.P. TEL.: 444 822 4341

SINALOA

SUCURSAL CUICACÁN
AV. ESSYS KUMATE SUR #4501, COL. HACIENDA DE LA MORA, C.P. 80143, CUICACÁN, SIN. TEL.: 667 175 9159 / 175 8400

SONORA

FIX FERRERÍAS
CALLE 3 DE FEBRERO #517, SUR LT. 25 MZ. 10, COL. CENTRO, C.P. 85000, CD. OROBREGÓN, SON. TEL.: 644 415 2592

TABASCO

SUCURSAL VILAHERMOSA
CALLE HEJULO LTOS. 1, 2 Y 3 MZ. #1, COL. INDUSTRIAL, ZA ETAPA, C.P. 86010, VILAHERMOSA, TAB. TEL.: 993 555 7244

TAMAUPIPAS

VM ORINAS Y REACCIONES
CALLE ROSITA #527 ENTRE 20 DE NOVIEMBRE Y GRAL. TAMS, TEL.: 899 926 7525

TLAXCALA

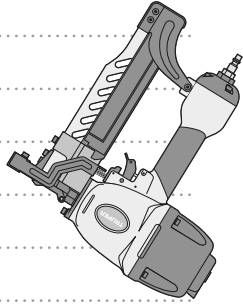
SERVICIOS Y HERRAMIENTAS INDUSTRIALES
CP. 90970, SAN PABLO DEL MONTE, TLAX. TEL.: 222 271 7502

VERACRUZ

LA CASA DISTRIBUIDORA TRUPER
BLVD. PRIMAVERA ESQ. HORTENSIA S/N, COL. PRIMAVERA, C.P. 93308, POZA RICA, VER. TEL.: 782 825 8100 / 826 8484

YUCATÁN

SUCURSAL MÉRIDA
CALLE 33 #600 y 602, LOCALIDAD ITZINCAB Y MULSAN, MPO. UJMA, C.P. 97390, MÉRIDA, YUC. TEL.: 999 919 2451



.....

.....

.....

.....

.....

.....

.....

.....

.....

.....

Notas

Solución de problemas



Problema

Fuga de aire en la parte superior de la herramienta o en el área del gatillo.

Causa

- Tornillos sueltos.
- Anillos tipo "O" desgastados o sellos dañados.

Solución

- Apriete todos los tornillos.
- Acuda a un Centro de Servicio Autorizado TRUPER para su reemplazo.

La herramienta no opera o lo hace de forma muy lenta.

- Suministro de aire inadecuado.
- Lubricación inadecuada.
- Anillos tipo "O" desgastados o sellos dañados.

Fuga de aire en la parte inferior de la herramienta.

- Tornillos sueltos.
- Anillos tipo "O" desgastados o sellos dañados.

La herramienta se atasca con frecuencia.

- Grapas inadecuadas.
- Grapas dañadas.
- Tornillo del cartucho o de la boquilla sueto.
- Cartucho sucio.
- El mecanismo de disparo está dañado o desgastado.

Otras fallas.

- Causas diversas.

- Acuda a un Centro de Servicio Autorizado TRUPER

- Revise que las grapas sean del tamaño adecuado.
- Reemplace por grapas en perfecto estado.
- Apriete los tornillos.
- Limpie el cartucho.
- Acuda a un Centro de Servicio Autorizado TRUPER para su reparación.

- Apriete todos los tornillos.
- Acuda a un Centro de Servicio Autorizado TRUPER para su reemplazo.

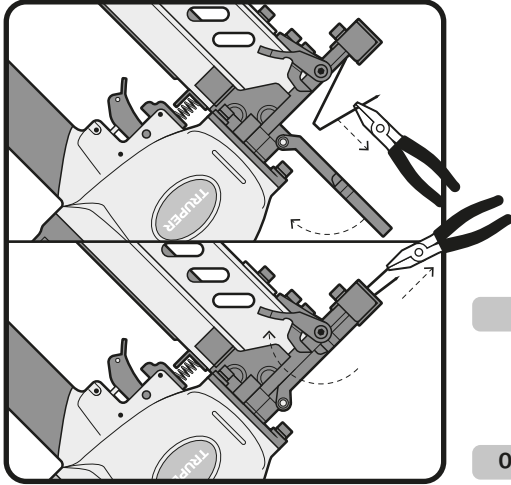
- Regule la presión de alimentación de aire.
- Lubrique siguiendo las instrucciones de este instructivo.
- Acuda a un Centro de Servicio Autorizado TRUPER para su reemplazo.

Grapa atorada en el orificio de disparo

- Desconecte la herramienta del suministro de aire.
- Abra la boquilla y jale la grapa con unas pinzas hasta removerla.

Grapa atorada en el cartucho

- Desconecte la herramienta del suministro de aire.
- Abra el mecanismo de disparo como se indica en el gráfico.
- Remueva la grapa atascada con unas pinzas.
- Cierre el cartucho.



Lubricación

- Las herramientas neumáticas requieren lubricación constante a lo largo de su vida útil y durante su operación. El aire comprimido que necesita la herramienta para funcionar contiene humedad que puede oxidar el motor y los bateros de la herramienta.
- Para evitar esta posibilidad es necesario administrar constantemente aceite lubricante por medio del sistema de filtro-aceitera centralizado **UNI-LL-1/4** marca **TRUPER**, instalado entre el compresor de aire y la herramienta.
- **ADVERTENCIA** • Cualquier exceso de aceite en el motor es expulsado de inmediato por el escape de aceite excedente. Mantenga siempre el escape libre de cualquier obstrucción y nunca lo apunte hacia personas u objetos.
- Si no va a utilizar la herramienta por un periodo largo, deberá lubricarse con mucho cuidado.

Servicio

- El servicio de las herramientas debe ser realizado cada 3 meses únicamente en un Centro de Servicio Autorizado **TRUPER**. El servicio y mantenimiento realizado por personas no calificadas puede resultar peligroso y llegar a ocasionar daños personales además de invalidar la garantía del producto.
- Las fallas en la herramienta causadas por la falta de lubricación dosificada recomendada, por el incumplimiento de este instructivo o por reparaciones realizadas por personal no certificado por **TRUPER**, no serán cubiertas por la garantía. Nos reservamos el derecho a realizar mejoras técnicas sin previo aviso.

Operación

- Encienda el compresor de aire y permita que se llene.
- Regule la presión de salida del compresor de aire de 75 PSI y 110 PSI (517 kPa y 758 kPa).

ADVERTENCIA La herramienta opera a este rango de presión, de operarse a rangos mayores de presión la vida útil de la herramienta será menor.

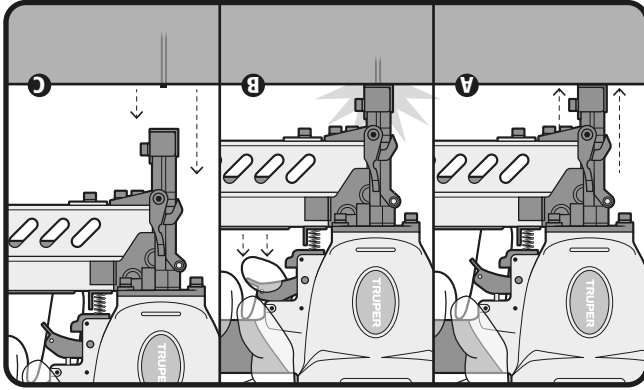
- Cargue el cartucho como se indica en la página 7.

ATENCIÓN Se recomienda usar una pieza de desecho para verificar el correcto funcionamiento de la herramienta.

- Con los dedos sin tocar el gatillo posicione la herramienta y presione el seguro de contacto contra la superficie a trabajar (**A**).
- Sin levantar la herramienta presione el gatillo para realizar un disparo (**B**).
- Inmediatamente suelte el gatillo y levante la herramienta (**C**).

- Vuelva a posicionar la herramienta para disparos subsiguientes.

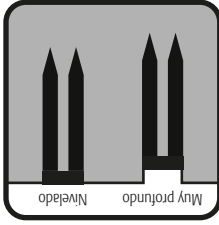
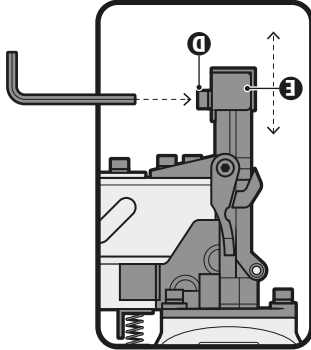
ADVERTENCIA Recuerde de no excederse de 110 PSI (758 kPa), esperada.

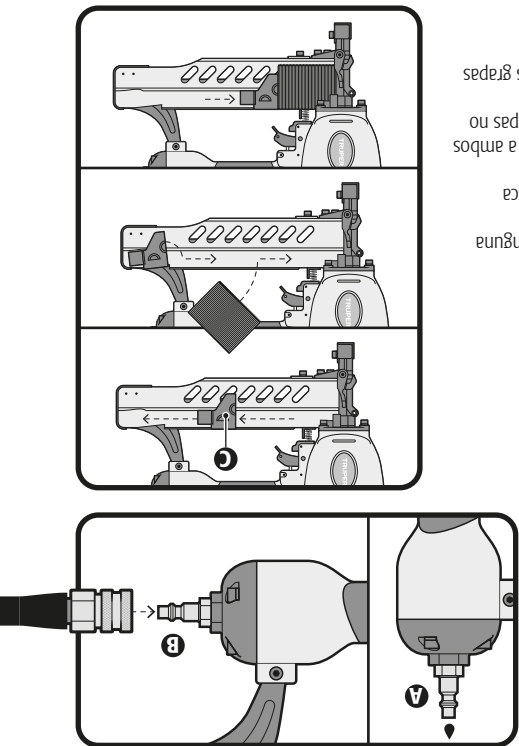


Regulador de profundidad

ATENCIÓN Desconecte la herramienta del suministro de aire antes de intentar desmontar cualquier pieza.

- Afloje el tornillo (**D**) con una llave hexagonal de 4 mm.
- Mueva la zapata deslizante (**E**) hacia abajo (alejándola de la punta) para disminuir la profundidad de penetración o hacia arriba (hacia la punta) para aumentar la profundidad de penetración.
- Apriete el tornillo con una llave hexagonal de 4 mm.





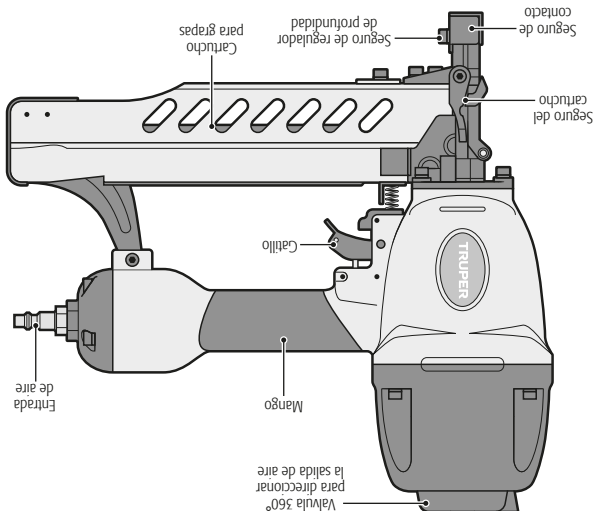
- Levante el retenedor para liberarlo de la muesca y empuje las grapas hacia el mecanismo de disparo.
- Coloque las grapas en el cartucho haciendo pasar sus puntas a ambos lados del cartucho. **¡ATENCIÓN!** Asegúrese de que las grapas no estén sucias o dañadas.
- Jale el retenedor (C) hasta que calce y se detenga en la muesca grapa atorada.
- Verifique que la máquina no tenga presión y que no tenga ninguna grapa atorada.
- Desconecte la manguera de aire de la herramienta.

Carga del cartucho

- Conecte la manguera al compresor y deje correr un poco de aire por la manguera y el cople rápido para verificar que ambos estén limpios antes de conectarlos a la herramienta.
- Si no dispone de un filtro-aceitera como el recomendado en la página 3, aplique unas gotas de aceite para herramientas dentro de la entrada de aire (A).
- Conecte la manguera de aire a la herramienta por medio del cople rápido (B). **¡ATENCIÓN!** Antes de conectar la manguera a la herramienta asegúrese de que el cartucho para grapas se encuentre vacío.
- El cople rápido es útil para conectar y desconectar rápidamente las herramientas e intercambiarlas fácilmente.

Conexión de la toma de aire

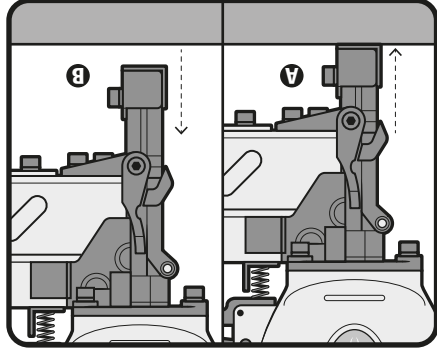
Preparación



Partes

Cómo verificar el uso adecuado del seguro

- La herramienta cuenta con un seguro de contacto para evitar un disparo accidental.
- Para verificar su funcionamiento desconecte la herramienta del suministro de aire.
- Vacíe el cartucho (consulte la página 7).
- Asegúrese de que el gatillo y el seguro de contacto se puedan mover libremente hacia arriba y hacia abajo.
- Conecte la herramienta al suministro de aire.
- Sin apretar el gatillo, presione el seguro de contacto contra una pieza de madera de desecho (A). La herramienta no deberá disparar, de lo contrario suspenda su uso y acuda a un Centro de Servicio Autorizado TRUPER para su reparación.
- Retire el seguro de contacto de la pieza de madera (B). El seguro deberá regresar a su posición original y al apretar el gatillo la herramienta no deberá disparar, de lo contrario suspenda su uso y acuda a un Centro de Servicio Autorizado TRUPER para su reparación.



Antes de utilizar la engrapadora

- Es necesario que tanto el operador como cualquier otra persona en el área de trabajo usen lentes de seguridad con protectores laterales, así como cascos protectores que cumplan con los estándares de la Norma Oficial Mexicana (NOM), para evitar posibles lesiones.
- Revise el estado de la herramienta. Nunca la opere si el gatillo o los muelles son importantes, se encuentran dañados o han sido extraviados. No realice modificación alguna al seguro, el gatillo o los muelles.

Mientras utiliza la engrapadora

- Mantenga los dedos alejados del gatillo siempre que no esté usando la herramienta para prevenir disparos accidentales.
- No apunte la herramienta hacia ninguna parte de su cuerpo ni a otras personas o animales.
- Desconecte la herramienta del suministro de aire antes de cargar las grapas: esto evitará que una de ellas sea disparada accidentalmente durante el proceso de conexión.
- No trate de insertar una grapa en el borde o cerca del borde de la pieza de trabajo. Si la pieza se llegara a romper o separar, esto causaría que las grapas botaran con fuerza suficiente para provocar lesiones.
- Dispare las grapas únicamente hacia la superficie de trabajo. Nunca las dispare hacia una superficie difícil de penetrar, hacia donde ya haya otra grapa o con la herramienta en un ángulo demasiado inclinado: esto podría causar que las grapas reboten, exponiendo al operador a serias lesiones.
- No intente cargar las grapas mientras el gatillo esté presionado. Esto haría que una grapa fuera disparada inesperadamente.

Después de utilizar la engrapadora

- Desconecte la herramienta del suministro de aire antes de realizar cualquier labor de mantenimiento o desatascos; cuando se disponga a abandonar el área de trabajo o a cambiar la herramienta de lugar, o si piensa entregársela a otra persona.
- Cuando mueva la herramienta, sosténgala únicamente del mango y nunca accione el gatillo mientras se encuentra en movimiento. Nunca transporte la herramienta sosteniéndola de la manguera ni jale la manguera para desplazar la herramienta.

Riesgo de lesión en cabeza y ojos



ADVERTENCIA

• El aire comprimido que utilizan los equipos neumáticos puede resultar peligroso. Objetos como abrazaderas, rebabas, astillas, polvo y otros residuos pueden ser impulsados por el flujo de aire a gran velocidad a la cabeza o a los ojos. El flujo de aire por sí sólo puede provocar daño en tejidos blandos como ojos, oídos, etc.

ATENCIÓN

• Los aditamentos de la herramienta se pueden aflojar o romperse y proyectar partículas al operador u otras personas en el área de trabajo.

- Siempre que opere equipo neumático utilice lentes de protección que cumplan con la norma ANSI Z87.1
- Nunca dirija el flujo de aire a personas o animales. Y como protección adicional utilice una careta.
- Desconecte la manguera de aire de la herramienta cuando no la esté utilizando.
- Jamás deje la herramienta conectada a la toma de aire sin atenderla.
- Antes de utilizar la herramienta verifique que todas sus partes y aditamentos estén debidamente asegurados.

Riesgo de explosión



ADVERTENCIA

• El manejo inadecuado de la presión de los equipos neumáticos puede provocar una explosión que ocasiona lesiones serias. Al igual que el uso de cualquier gas que no sea aire comprimido.

- Antes de utilizar la herramienta asegúrese que la fuente de aire comprimido esté regulada a la presión especificada para la herramienta y no rebase ese nivel.
- Jamás conecte la herramienta a una fuente de presión que exceda los 200 PSI (1 380 kPa), o de oxígeno ni cualquier otro gas embotellado, combustible o reactivo. Use aire comprimido limpio, seco y regulado, a una presión de entre 75 PSI y 110 PSI (517 kPa y 758 kPa).

Riesgo de pérdida auditiva



ADVERTENCIA

• Exponerse al ruido generado por las herramientas neumáticas por largos periodos puede dañar el oído permanentemente provocando pérdida de la audición.

- Siempre que opere equipo neumático utilice protección auditiva que cumpla con la norma ANSI S3.19

Riesgo de lesiones



ADVERTENCIA

• Las mangueras dañadas pueden estallar y provocar lesiones serias o sordera.

- No mate la manguera ni los conectores.
- Mantenga la manguera alejada de superficies afiladas o abrazas.
- Desconecte la manguera cuando cargue el cartucho.
- Nunca use la manguera para cargar la herramienta.
- Nunca jale de la manguera para desconectarla.
- No exponga la manguera al calor, aceite o solventes.
- Antes de operar la herramienta, verifique que las mangueras no estén dañadas.
- Use mangueras que soporten al menos 150 PSI (1 034 kPa) o el 150% de la máxima presión del sistema, la que sea mayor.

- Las abrazaderas pueden soltarse y ser proyectadas causando lesiones serias o daños a propiedad.
- Asegúrese que todas las conexiones se encuentran correctamente instaladas.

- Las herramientas que arrancan accidentalmente pueden provocar lesiones serias.
- Las herramientas y accesorios que no reciben el mantenimiento adecuado pueden provocar lesiones serias.

- Mantenga las herramientas limpias. Una herramienta bien cuidada y lubricada brinda un funcionamiento mas efectivo y es mas fácil controlarla.
- Cualquier reparación solo puede ser realizada en un Centro de Servicio Autorizado **TRUPER**.

- Las herramientas y accesorios dañados o golpeados pueden provocar lesiones serias.

ADVERTENCIA De no hacerlo se expone a lesiones personales graves, como cortes, quemaduras o aplastamiento.

ADVERTENCIA Mantenga las manos alejadas de las partes giratorias y/o móviles.

ADVERTENCIA Utilice la indumentaria adecuada, ser atropados por las piezas móviles. La ropa suelta, joyas o cabello largo pueden ser atrapados por las piezas móviles.

ADVERTENCIA Guarde la herramienta en un lugar seguro fuera del alcance de los niños. Las herramientas son peligrosas en manos inexpertas.

ADVERTENCIA Nunca fuerce la herramienta. Trabajar dentro del rango para el que fue diseñada asegura un mejor trabajo y es más seguro.

ADVERTENCIA Asegure y apoye adecuadamente la pieza de trabajo. Utilice abrazaderas y una superficie de trabajo estable.

ADVERTENCIA Utilice la herramienta con todas sus piezas en su lugar y en buen estado. De no hacerlo se expone a lesiones personales graves.

PELIGRO No utilice la herramienta si está cansado, o bajo la influencia de drogas, alcohol o medicamentos. Un momento de distracción mientras utiliza la herramienta puede provocar lesiones personales graves.

ADVERTENCIA Este siempre alerta, sea prudente y utilice el sentido común. No deje que la familiaridad con el uso de la herramienta lo distraiga mientras la utiliza. Esto puede provocar accidentes.

PELIGRO Evite hacer contacto con líneas y circuitos eléctricos. Ubique y evite todas las líneas y circuitos eléctricos, especialmente el cableado oculto. Así como cualquier objeto conectado a tierra.

ADVERTENCIA Mantenga a los niños y a otras personas a una distancia segura mientras utiliza la herramienta. Las distracciones pueden hacerle perder el control y provocar accidentes.

PELIGRO Nunca utilice la herramienta en ambientes explosivos, o en presencia de líquidos inflamables o sin ventilación. Las chispas que genera la herramienta podría provocar una explosión o incendio.

ADVERTENCIA Mantenga su área de trabajo limpia, ordenada y bien iluminada. Areas desordenadas y oscuras pueden provocar accidentes.

ADVERTENCIA Nunca deje la herramienta en marcha sin supervisión. Desconecte la herramienta de la toma de aire después de operarla y antes de dejarla para evitar accidentes graves.

ADVERTENCIA Utilice sólo los accesorios o relaciones indicados en este instructivo o certificados por **TRUPER**.

ADVERTENCIA Dele mantenimiento a la herramienta y cerciórese que se encuentre en condiciones óptimas antes de utilizarla. Revise cuidadosamente sus partes móviles, su alineación y montaje. Haga lo periódicoamente. Busque cualquier elemento dañado o pieza que no funcione adecuadamente para su inmediata reparación en un Centro de Servicio Autorizado **TRUPER**.

PELIGRO Retire cualquier llave de ajuste antes de encender la herramienta. Herramientas adicionales o llaves colocadas en una pieza giratoria de la herramienta puede provocar lesiones personales graves.

ADVERTENCIA Evite encendidos accidentales. Asegúrese de que la toma de aire está desconectada antes de lubricar, colocar accesorios o dar mantenimiento a la herramienta.

ADVERTENCIA Nunca tire de la manguera de aire. No la use para cargar la herramienta o desconectarla de la toma de aire. Las mangueras dañadas o enredadas pueden reventar y lanzar residuos al operador.

ADVERTENCIA No sobre extienda su campo de acción. Un buen apoyo y equilibrio permiten un mejor control de la herramienta en situaciones inesperadas.

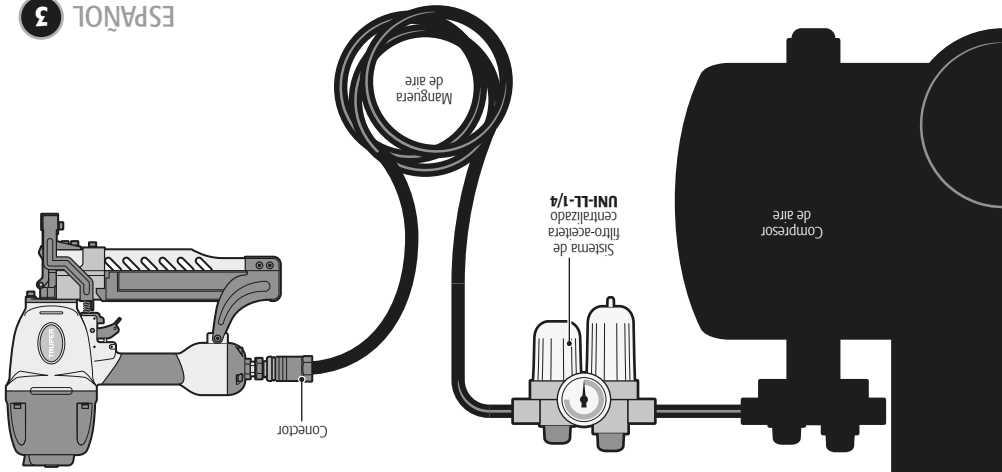
ADVERTENCIA Nunca utilice la herramienta si el interruptor no funciona o no está debidamente ensamblada. De hacerlo se expone a lesiones personales graves, repárela inmediatamente en un Centro de Servicio Autorizado **TRUPER**.

ADVERTENCIA De dar mantenimiento o cambiar sus accesorios. Desconecte la manguera de aire de la herramienta antes de dar mantenimiento o cambiar sus accesorios. deriven en accidentes.

ADVERTENCIA Utilice equipo adecuado de protección personal. Utilice protección para los ojos. Mascarella antipolvo, zepatos de seguridad antideslizantes, casco y protección para los oídos en condiciones adecuadas reducen considerablemente el riesgo de lesiones.

Advertencias generales de seguridad para herramientas neumáticas





ATENCIÓN El polvo, agua y la falta de aceite específico para herramientas neumáticas son la causa principal de las fallas potenciales de la herramienta. Se recomienda la instalación de un sistema de filtro-aceitera centralizado UN-LL-1/4 marca TRUPER. Este sistema asegura la lubricación reduciendo el consumo de aceite en un 80%, lo que incrementa significativamente la calidad del aire que respira el operador.

- El sistema de filtro-aceitera debe regularse para que administre de 3 a 6 gotas por minuto.
- Drene el agua del tanque del compresor de aire así como la condensación de las mangueras antes de usar la herramienta.

Consulte el instructivo del compresor.

Requerimientos de filtrado y lubricación

ATENCIÓN Se debe considerar el aumento en la presión de línea o el diámetro interior de la manguera para compensar el uso de mangueras muy largas (más de 8 metros). El diámetro interior mínimo de la manguera debe ser de 3/8" (9,5 mm) y los conectores deben ser de 1/4 NPT. Use coples y accesorios de buena calidad y del tamaño adecuado.

• Código	13178
• Descripción	Engrapadora neumática
• Presión de operación recomendada	75 PSI (517 kPa) - 110 PSI (758 kPa)
• Máxima presión permitida	110 PSI (758 kPa)
• Capacidad del cartucho	100 grapas
• Calibre de grapa	16 (1,6 mm)
• Ancho de grapa	7/16" (11 mm)
• Largo de grapa	3/4" (19 mm) a 2" (50 mm)
• Conexión de entrada de aire	1/4 NPT
• Diámetro interno de la manguera	3/8" (9,5 mm)

ENNE-160

Realice **MANTENIMIENTO** periódico a su máquina (página 9)



Trabaje a la **PRESIÓN INDICADA** para evitar que las grapas se atasquen. En caso de que esto suceda **RETIRE LA GRAPA** antes de seguir trabajando.



Utilice solo en **MADERA**.



No opere sin lubricar (se recomienda usar el filtro lubricante **19238 UN1-L-1/4**).

Recomendaciones de uso y cuidados

Para poder sacar el máximo provecho de la herramienta, alargar su vida útil, hacer válida la garantía en caso de ser necesario y evitar riesgos o lesiones graves, es fundamental leer este instructivo por completo antes de usar la herramienta.

Guarde este instructivo para futuras referencias. Los gráficos de este instructivo son para la referencia, pueden variar del aspecto real de la herramienta.

¡ATENCIÓN!

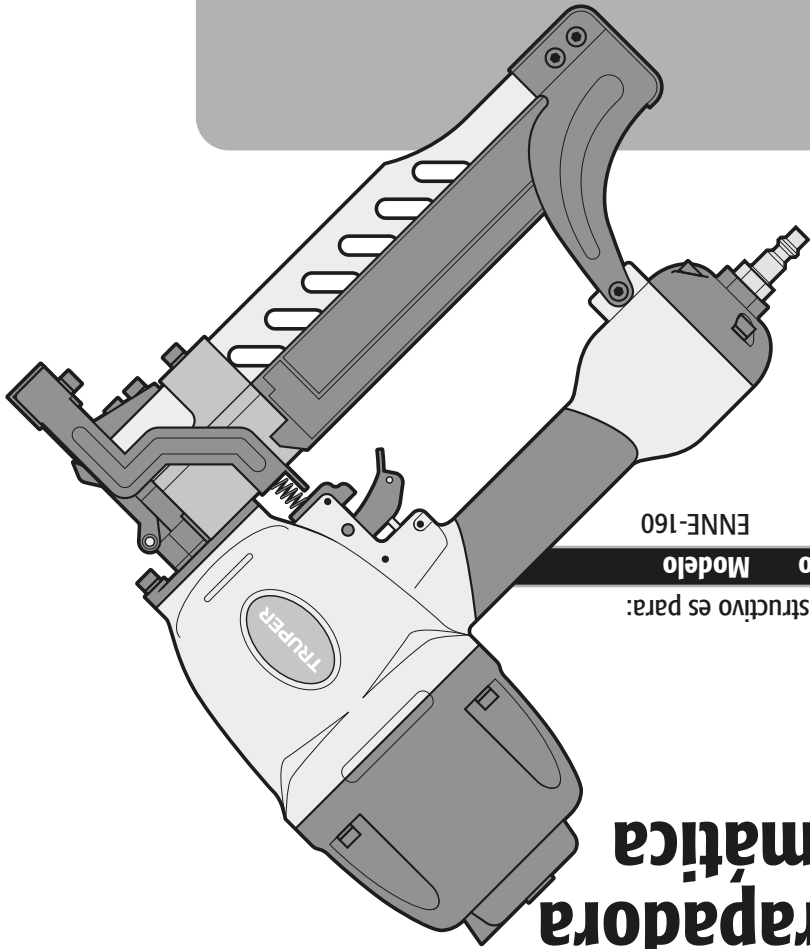
- 3 Especificaciones técnicas.
- 3 Requerimientos de filtrado y lubricación.
- 4 Advertencias generales de seguridad para herramientas neumáticas.
- 5 Control de riesgos al usar herramientas neumáticas.
- 6 Advertencias de seguridad para uso de engrapadoras neumáticas.
- 7 Partes.
- 7 Preparación.
- 8 Puesta en marcha.
- 9 Mantenimiento.
- 10 Solución de problemas.
- 10 Notas.
- 11 Centros de servicio autorizados.
- 12 Póliza de garantía.

Instructivo de

Engrapadora neumática

Este Instructivo es para:

Código 13178
Modelo ENNE-160



ENNE-160

ADVERTENCIA

Lubricación constante.



ATENCIÓN

Lea este Instructivo por completo antes de usar la herramienta.

