



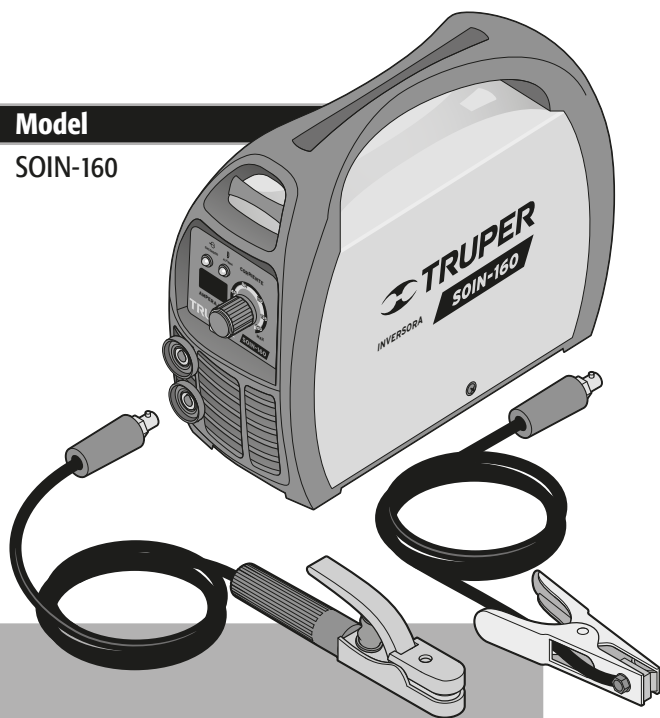
Manual

Inverter Welders

40%
Work Cycle

Applies for:

Code	Model
13694	SOIN-160

**SOIN-160****CAUTION**Read this manual thoroughly
before using the tool.

Technical specifications	3
Power Requirements	3
 General Power Tools Safety Warnings	4
 Safety Warnings for Inverter Welders	5
Parts	6
Installation	7
Start Up	8
Maintenance	10
Simbology	10
Troubleshooting	11
Notes	12
Authorized Service Centers	13
Warranty Policy	14

CAUTION

To gain the best performance of the tool, prolong the duty life, make the Warranty valid if necessary, and to avoid hazards of fatal injuries please read and understand this Manual before using the tool.

Keep this manual for future references.

The illustrations in this manual are for reference only. They might be different from the real tool.

Use and care recommendations

THERMAL PROTECT

When the machine overheats, the thermal protector will activate, turning the welder off and turning the LED light ALARM on.
Let the welder cool for 15 minutes and turn it back on.




It is recommended to use a 12 AWG extension cord and connect it to an **INDEPENDENT CHARGING CENTER**.



Perform periodic **MAINTENANCE** to your machine (page 10).

SOIN-160

Code •	13694		
Description •	Inverter Welder		
Input			
Power •	220 V~		
Frequency •	50 Hz / 60 Hz		
Current •	32 A		
No. of Phases •	2 phase		
Output			
Input Rated Capacity •	7.0 kVA		
Open Circuit Voltage •	65 V c.c.		
Current Range •	20 A - 160 A		
Work Cycle •	40% 4 minutes' work per 6 minutes' rest. <small>Output values specified are with a 68 °F. Temperatures higher than the work cycle may be reduced.</small>		
Cooling Type •	Fan Forced		
Weight •	8.6 lb		
Output terminals •	3/8" quick connector		
Insulation •	Class I	IP Grade •	IP21S
Conductors •	12 AWG x 3C with 221 °F insulation temperature		
	Power cord grips: Type "Y". Build quality: Basic insulation. Thermal insulation winding: Class H		

⚠ WARNING Avoid the risk of electric shock or severe injury. When the power cable gets damaged it should only be replaced by the manufacturer or at a  **TRUPER** Authorized Service Center. The build quality of the electric insulation is altered if spills or liquid gets into the tool while in use. Do not expose to rain, liquids and/or dampness.

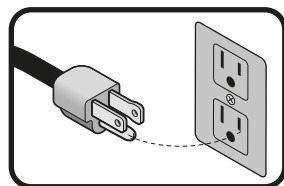
⚠ WARNING Before gaining access to the terminals all power sources should be disconnected.



Power Requirements

⚠ WARNING If faults or breakdowns happen. Ground connection offers a trajectory with minimum resistance for electric power. It reduces the risk of electric shock. This tool is built with a power cable with an earth conductor and a plug with ground connection. The plug shall be connected into a power outlet installed and grounded according to all local codes.

⚠ WARNING Do not modify the plug supplied. If the plug cannot be fitted to the socket, have a qualified electrician to install the suitable socket.



• When using the welder together with more tools using the same ground connect those in parallel, never connect a series.

⚠ CAUTION • The gauge of the ground conductor cable shall not be of a smaller gauge than the power supply cable.

⚠ CAUTION • Connection to the power supply shall only be carried out by a professional electrician.

⚠ CAUTION • Double check the input connection voltage stipulated in the welder nameplate matches the power supply voltage.

⚠ CAUTION • The power supply cord shall meet the following requisites:



Switch	≥30 A
Fuse (Work Rated Current)	30 A (*)
Electric Wire	≥2.5 mm ²

* The current for fuse fusion is double of its rated current.

• If extensions between the welder and the work piece are needed, the soldering cable gauge shall be increased to keep the welder energy output with a potential drop not higher than 4 V



⚠ WARNING! Read carefully all safety warnings and instructions listed below. Failure to comply with any of these warnings may result in electric shock, fire and / or severe damage. **Save all warnings and instructions for future references.**

Work area

Keep your work area clean, and well lit.

Cluttered and dark areas may cause accidents.



Never use the tool in explosive atmospheres, such as in the presence of flammable liquids, gases or dust.

Sparks generated by power tools may ignite the flammable material.



Keep children and bystanders at a safe distance while operating the tool.

Distractions may cause losing control.



Electrical Safety

The tool plug must match the power outlet. Never modify the plug in any way. Do not use any adapter plugs with grounded power tools.

Modified plugs and different power outlets increase the risk of electric shock.



Avoid body contact with grounded surfaces, such as pipes, radiators, electric ranges and refrigerators.

The risk of electric shock increases if your body is grounded.

Do not expose the tool to rain or wet conditions.

Water entering into the tool increases the risk of electric shock.

Do not force the cord. Never use the cord to carry, lift or unplug the tool. Keep the cord away from heat, oil, sharp edges or moving parts.

Damaged or entangled cords increase the risk of electric shock.

When operating a tool outdoors, use an extension cord suitable for outdoor use.

Using an adequate outdoor extension cord reduces the risk of electric shock.

If operating the tool in a damp location cannot be avoided, use a ground fault circuit interrupter (GFCI) protected supply.

Using a GFCI reduces the risk of electric shock.

Personal safety

Stay alert, watch what you are doing and use common sense when operating a tool. Do not use a power tool while you are tired or under the influence of drugs, alcohol or medication.

A moment of distraction while operating the tool may result in personal injury.

Use personal protective equipment. Always wear eye protection.

Protective equipment such as safety glasses, anti-dust mask, non-skid shoes, hard hats and hearing protection used in the right conditions significantly reduce personal injury.



Prevent unintentional starting up. Ensure the switch is in the "OFF" position before connecting into the power source and / or battery as well as when carrying the tool.

Transporting power tools with the finger on the switch or connecting power tools with the switch in the "ON" position may cause accidents.

Remove any wrench or vice before turning the power tool on.

Wrenches or vices left attached to rotating parts of the tool may result in personal injury.

Do not overreach. Keep proper footing and balance at all times.

This enables a better control on the tool during unexpected situations.

Dress properly. Do not wear loose clothing or jewelry. Keep hair, clothes and gloves away from the moving parts.

Loose clothes or long hair may get caught in moving parts.



If you have dust extraction and recollection devices connected onto the tool, inspect their connections and use them correctly.

Using these devices reduce dust-related risks.

Power Tools Use and Care

Do not force the tool. Use the adequate tool for your application.

The correct tool delivers a better and safer job at the rate for which it was designed.



Do not use the tool if the switch is not working properly.

Any power tool that cannot be turned ON or OFF is dangerous and should be repaired before operating.

Disconnect the tool from the power source and / or battery before making any adjustments, changing accessories or storing.

These measures reduce the risk of accidentally starting the tool.

Store tools out of the reach of children. Do not allow persons that are not familiar with the tool or its instructions to operate the tool.

Power tools are dangerous in the hands of untrained users.



Service the tool. Check the mobile parts are not misaligned or stuck. There should not be broken parts or other conditions that may affect its operation. Repair any damage before using the tool.

Most accidents are caused due to poor maintenance to the tools.



Keep the cutting accessories sharp and clean.

Cutting accessories in good working conditions are less likely to bind and are easier to control.

Use the tool, components and accessories in accordance with these instructions and the projected way to use it for the type of tool when in adequate working conditions.

Using the tool for applications different from those it was designed for, could result in a hazardous situation.

Service

Repair the tool in a TRUPER Authorized Service Center using only identical spare parts.

This will ensure that the safety of the power tool is maintained.

Children or people with reduced physical, sensory or mental capabilities shall not operate the tool, neither inexperienced people or without knowledge in the use of the tool, unless supervised by a person responsible of their safety or if receiving previous instructions about the tool operation.

Children shall be kept under supervision to double-check they will not play with the tool. Tight supervision shall be used with children or disabled persons to prevent from using or being close to any household tool.



Protection Equipment for Welding

- ⚠ WARNING** • Wear a welding mask to protect eyes and face when soldering. Assure the mask protective glass shade is adequate for the soldering process to carry out.
- ⚠ CAUTION** • Wear leather gloves specially made for welding as well as leather dungarees and gaiter.
- Wear robust clothing and long sleeves made of fire-resistant materials such as wool or leather.
- Use special screens or curtains to insulate the work place from passersby, to protect them from sparks, flares and slag originated by the soldering process.
- Benches and work tables where work pieces shall rest, must have orifices or slots that can easily let through residues originated by the soldering process.



Prevent Electric Shock

- ⚠ CAUTION** • Verify there is a safe connection for the input and output cables. They shall be correctly insulated and the connections in good repair (check and eliminate any possibility of electric shock).
- ⚠ CAUTION** • Double check the welder is plugged to a reliable ground connection.
- ⚠ CAUTION** • Do not expose the welder to rain or humidity.
- ⚠ CAUTION** • The user shall be insulated from the work piece and ground connection stepping onto insulating and dry mats.
- ⚠ DANGER** • For any reason touch the two poles in the welder circuit (welding stick and work piece).
- ⚠ WARNING** • Do not try to adjust the welder current when carrying out a soldering job.
- ⚠ CAUTION** • Connect the ground clamp to the work piece as close as possible to the welding zone. This prevents the current to flow long distances and eliminate the possibility of short circuit.
- ⚠ WARNING** • The work piece shall make contact with the ground connection clamp before operating the welder. Do not disconnect until finishing welding because it can lead to an electric discharge and severe injury.
- ⚠ WARNING** • Disconnect the welder from the power supply before carrying any maintenance jobs.



Fire Prevention

- ⚠ CAUTION** • Have always handy a fire extinguisher in good conditions.
- ⚠ WARNING** • There shall not be flammable or explosive materials in the work area (no less than 36'). Do not carry out soldering jobs where the sparks can reach or fall onto flammable or explosive materials.




Prevent Health Risks

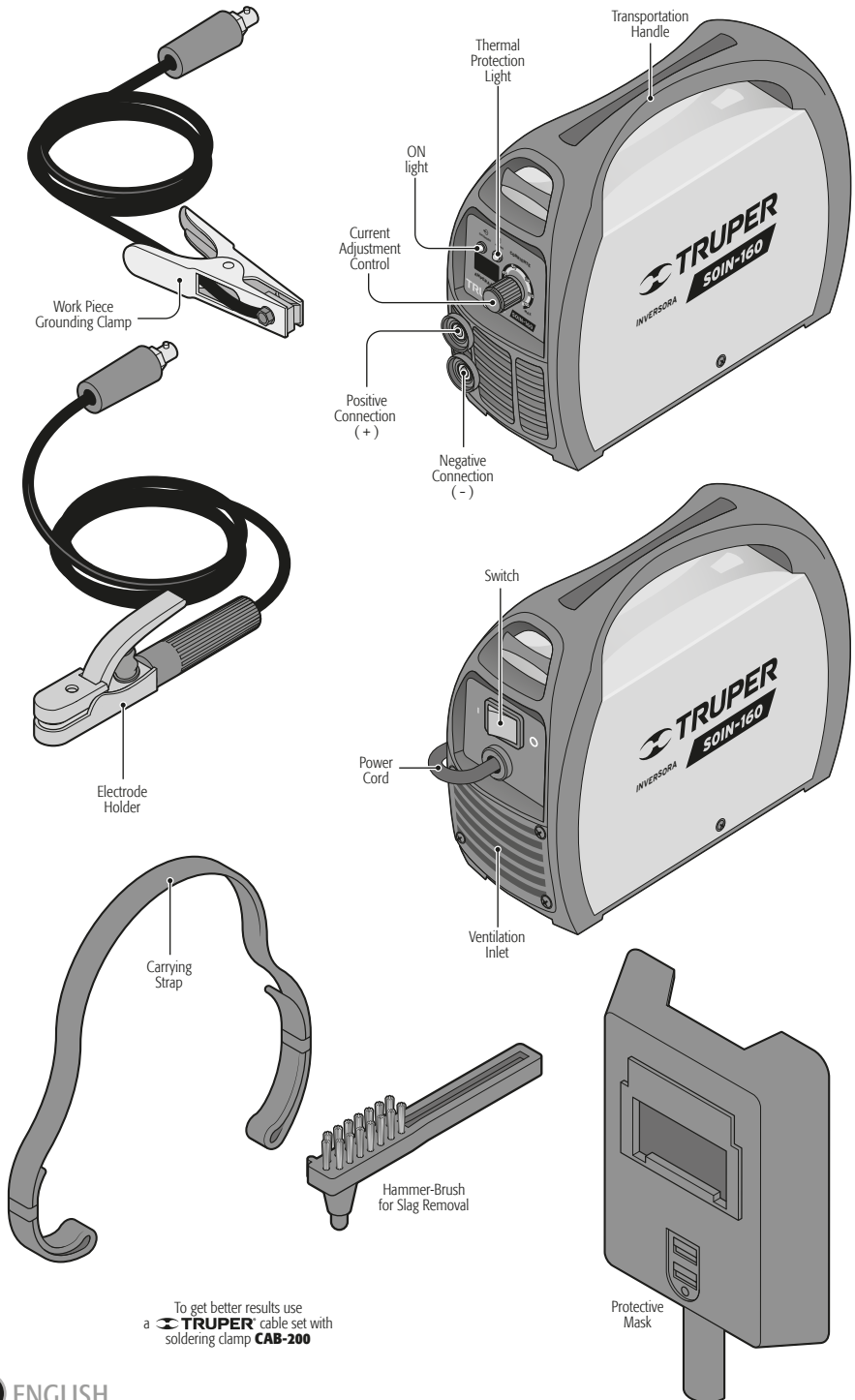
- ⚠ WARNING** • Vapor and gases produced while soldering is dangerous to your health. Work in well ventilated areas or with adequate ventilation systems.
- ⚠ WARNING** • Do not breath in smokes and gasses emanated from the soldering process. Keep your head away from vapors.
- ⚠ DANGER** • If ventilation is poor use an adequate autonomous breathing device because the gases generated when soldering may displace air and cause a fatal accident.
- ⚠ CAUTION** • Do not operate the welder near de-greasing agents, cleaning products or aerosol containers. Heat and radiation from the welding process may react to those vapors forming toxic gases.
- ⚠ CAUTION** • Avoid soldering metals covered in lead, zinc or cadmium. Those materials generate toxic gases. Otherwise, remove the covering from the welding area. Make sure the work area is well ventilated or wear an adequate autonomous breathing device.



Prevent Injuries and Accidents

- ⚠ WARNING** • Risks of electric shock:
An electric shock coming from the soldering electrode may cause death. Do not weld under rain or snow. Do not touch the electrode with your bare hands. Do not wear damp or damaged gloves. Personal protection against electric shock: insulation from the work piece. Do not open the equipment enclosure. Do not weld on top of drums or any closed container.
- ⚠ WARNING** • Soldering sparks may cause explosion or fire.
- ⚠ WARNING** • Risks generated by the welding arc:
Radiation coming out from the arc may burn eyes and damage skin. Wear face mask and protection glasses. Wear hearing protection and protective clothes that protect skin up to the neck. Wear full-body protective clothes.
- ⚠ WARNING** • Risk induced by electro-magnetic fields:
Welding current produces electro-magnetic fields. Do not use this power source if having a medical implant. Never roll up the welding cable around your body. Set together and parallel both welding cables so the fields of each cable counteract.
- ⚠ WARNING** • Do not use the welder power source to de-ice pipes.
- ⚠ CAUTION** • Never allow unexperienced people to dismount or regulate the welder.
- ⚠ WARNING** • Double check that the operator and the welder are away from the sparks and residues trajectory originated by the soldering process.
- The welder shall be operated in a place protected from sun and rain. Away from places where violent vibrations are present.
- Store the welder in a place free of humidity with a range of temperature from -13 °F to 131 °F
- ⚠ CAUTION** • To prevent rollover, the equipment shall be inclined 10° maximum.
- There shall be a 11.8" space around the welding machine to allow good ventilation.
- ⚠ CAUTION** • Double check no foreign metal piece is inside the welder.
- ⚠ WARNING** • Any problem with the welder that cannot be fixed by the operator making the adjustments needed for a good welding job shall be carry out in a  TRUPER Authorized Service Center. For any reason try to open the welder housing to carry out any type of maintenance.





To get better results use a TRUPER cable set with soldering clamp CAB-200

Connections

⚠ CAUTION To prevent electric shock please consult information in the “Electrical Requirements” section in pages 3 and 5.

- The fast connections in the electrode holder and the grounding clamp are inserted and turned one quarter of a turn in a clockwise direction in the outlets found in the front panel to be secured.

Inverse Polarity (A)

- Connect the grounding clamp cable to the negative (–) clamping screw in the welder.
- Connect grounding clamp cable (C) to the work piece.
- Connect the electrode holder cable to the positive (+) clamping screw in the welder.

This configuration generates more heat in the electrode, thus producing more heat with basic electrodes making it ideal to weld thick pieces.

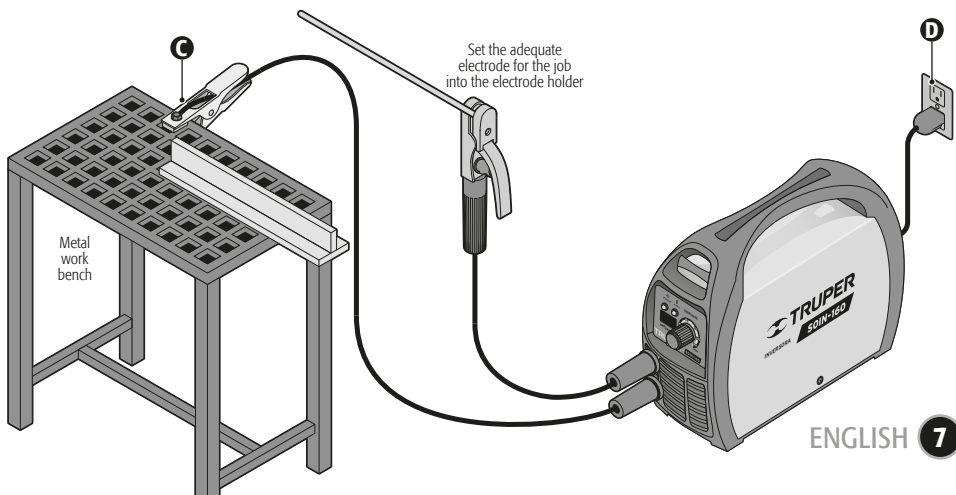
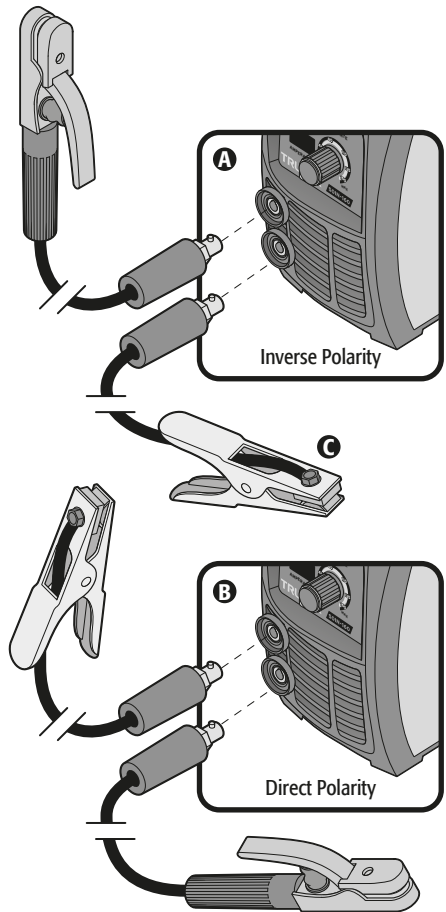
Direct Polarity (B)

- Connect the grounding clamp cable to the outlet (+).
- Connect the grounding clamp (C) to the work piece.
- Connect the electrode holder to the outlet (–).

This configuration generates more heat in the work piece producing less warping of the piece and narrower cords making it ideal to solder thin pieces.

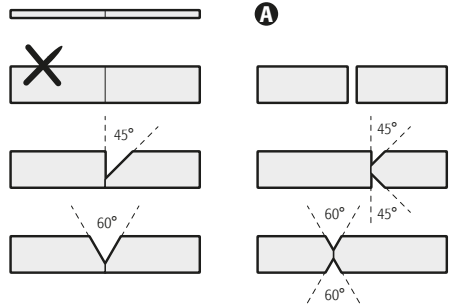
- Connect the feeding cable (D) to the network into the corresponding voltage.

⚠ WARNING Before using the welder, it shall be correctly grounded. Failure to comply with this warning propitiates severe personal injuries.



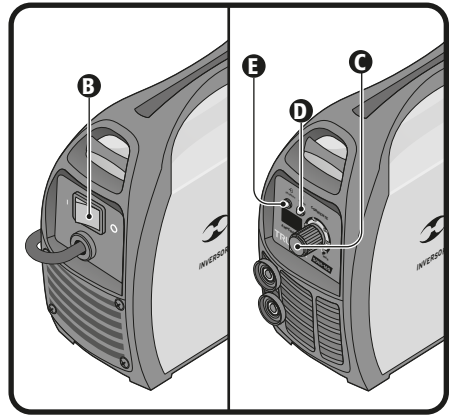
Preparation

- Only experience, practice and care can guarantee a good welding job.
- The factor intervening in the welding process are many: required current, distance between the electrode and the work piece, soldering speed and direction, thickness and type of the material, the work piece position, electrode angle and also gauge, type of material and electrode covering. Therefore, is advisable that before welding to carry out practice some in scrap material to determine which are the specific requirements needed for the job to perform.
- The area on the work piece where the soldering will be applied shall be clean, free of rust and paint.
- Joints between sheets with gauges higher than 1/8" shall be beveled to have an adequate weld (A).



Welding

- Set the switch (B) into the ON (I) position. The indicating light will be illuminated.
- Turn the current adjusting control (C) until reaching the amperes needed for the job.
- Hold the electrode holder or torch as comfortable as possible. Bear in mind that during the welding process, the angle, movement and distance regarding the work piece shall be constant and uniform.
- Aim the electrode tip to the joint to be worked with to generate the arc and start welding.
- Once the arc is lit start soldering keeping always the electrode tip 0.08" away from the work piece. If you make the weld having the electrode supported on the work piece, it could adhere and the weld would have a low quality.
- In case of overheating, the welder will stop functioning and the thermal protection indicator light (D) will be lit. Do not turn off the welder and wait until the indicator light is off to use it again.



Supplies

For coated electrode processes (SMAW)

Type: 6013 / 6011
Diameter: 3/32", 1/8", 5/32"

Type: 7018
Diameter: 3/32", 1/8", 5/32"

Slag Removal

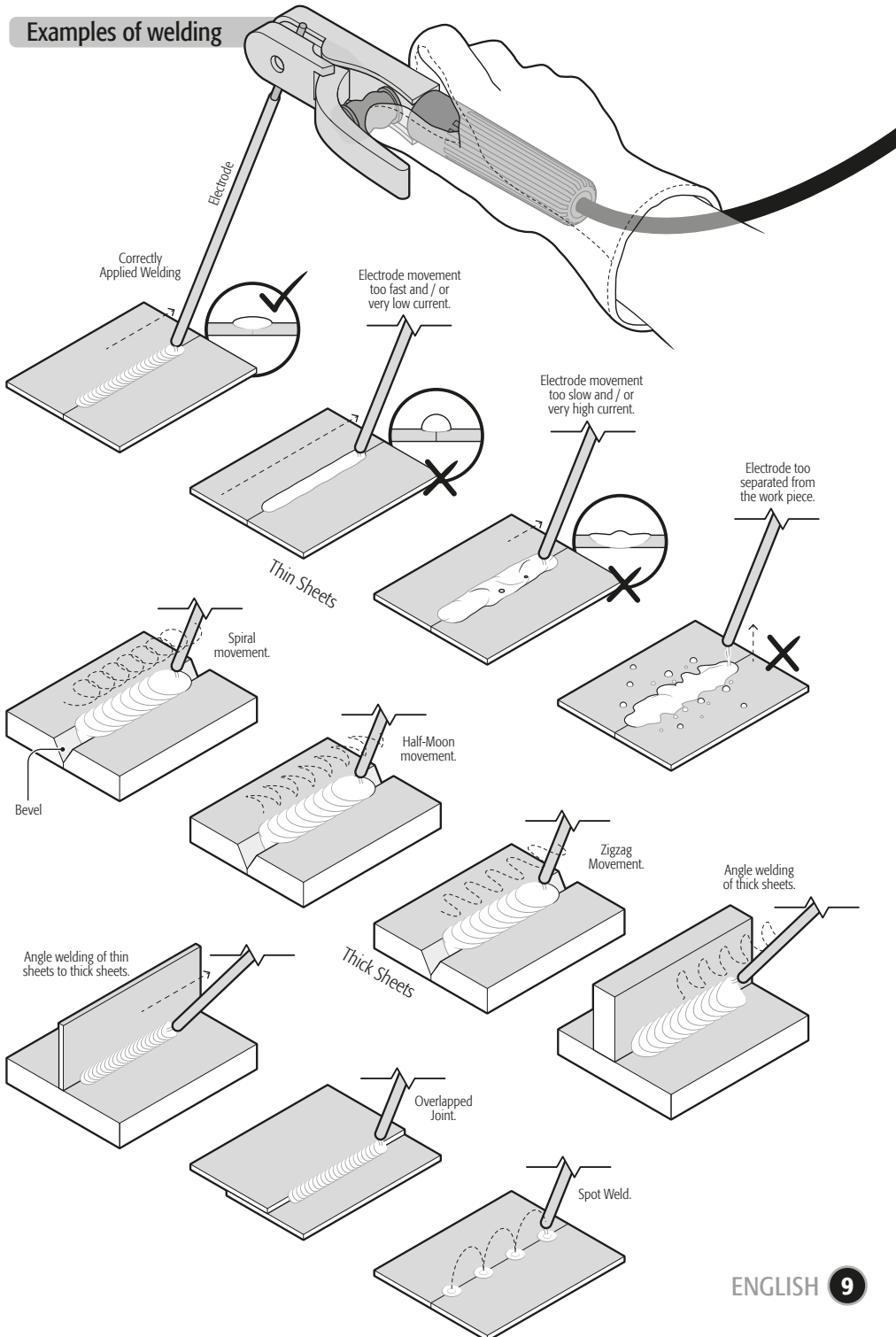
- Upon finishing welding, use the wire brush included to remove the slag from the weld bead surface.
- **CAUTION** • Wait until the slag has cooled down and hardened to remove it.
- When hitting or brushing slag to remove it there can be particles flying out. Wear eye protection and keep bystanders away.



Electrode Replacement

- When the electrode has been consumed 0.4" to 0.8" away from the electrode holder, it is necessary to replace it with a new one to keep on welding.
- **CAUTION** • Electrodes are burned in high temperature. Do not try to manipulate the remains of the electrode with your hand. Set the remains in a metal container.
- Open the electrode holder nipper to hold the new electrode by the end that is not covered. Do not hold the electrode by the covered part.

Examples of welding



• The correct use and regular cleansing extend the useful life of the welder.

CAUTION • Only qualified personnel shall carry out repairs. We recommend visiting a  **TRUPER** Authorized Service Center to repair your welder, get supplies or accessories.





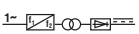


Regular Maintenance





- Clean dust from the welder with compressed air. If there is too much dust present, clean immediately. Under normal conditions clean once a year. If the welder is exposed to a lot of dust, cleaning should be carried out every three months.
- Altogether with cleaning make a checkup to assure there are no loose parts or components in the welder.
- Keep the welder plug in good repair.
- The plug shall be checked before each use.

Storage

- In the event the welder will be stored a long period of time, keep it in a dry, well ventilated place to prevent humidity getting inside, or to generate rust or toxic gas. Storage temperature vary between -13 °F to 131 °F and relative humidity shall not be over 90%.

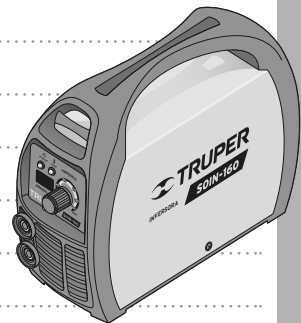
Symbology

	DC symbol
	Electric arc manual welding with coated electrode
	Inert metal – active gas welding, including the use of flux core
	Input circuit, single-phase alternating current and rated frequency symbol
x	Work cycle symbol (service factor)
I₂	Nominal welding current symbol
U₂	Conventional load voltage symbol
U_{0... V}	Rated open circuit voltage
U_{1... V}	Rated power voltage
I_{1 max... A}	Maximum rated power
I_{1 eff... A}	Maximum effective power
IP	Protection degree (solid objects and water submersion)
	Converter - transformer - single-phase static frequency rectifier
	AC symbol
SWAW	Electric-arc manual welding with coated electrodes
TIG	Gas shielded arc welding system
MIG	Metal inert gas welding
	Tungsten inert gas welding

Problem	Cause	Solution
The thermal protection light is ON.	<ul style="list-style-type: none">• The welder has no adequate ventilation.• Environment temperature is too high.• The welder has been used longer than the recommended work cycle.	<ul style="list-style-type: none">• Keep the welder least 11.8" away from any walls at to allow air circulation.• The welder will recuperate once the temperature gets back to the right range to operate.• The welder will recuperate once the temperature gets back to the right range to operate.
The current adjusting control is not working.	<ul style="list-style-type: none">• The potentiometer is broken.	<ul style="list-style-type: none">• Go to a  TRUPER® Authorized Service Center to replace the potentiometer.
The fan is not working or turns very slowly.	<ul style="list-style-type: none">• Faulty switch.• Faulty fan.• Fault in the connections.	<ul style="list-style-type: none">• Go to a  TRUPER® Authorized Service Center to replace the switch.• Go to a  TRUPER® Authorized Service Center to repair the fan.• Check all the connections.
There is no open circuit voltage.	<ul style="list-style-type: none">• High Voltage, low voltage or one phase is missing.• The welder is overheating.• Faulty switch.	<ul style="list-style-type: none">• The welder will recuperate once the temperature is back into the adequate range to operate.• Go to a  TRUPER® Authorized Service Center to replace the switch.
The electrode holder is too hot; connections + and - are hot.	<ul style="list-style-type: none">• The electrode capacity is too low.• The cable gauge is too small.• Loose connections.• More resistance between the electrode holder and the cable.	<ul style="list-style-type: none">• Replace the electrode holder with another one with more capacity.• Replace the cable with another one within the requirements (see page 3).• Clean the rust accumulation and tighten the connections.• Clean the rust accumulation and tighten the connections.
Energy source is off.	<ul style="list-style-type: none">• The welder is hover-heated.	<ul style="list-style-type: none">• There is no fault. It is normal that power supply gets cut when the welder goes above its normal working temperature. Wait until the temperature is back to the adequate working range to turn it on again.

If after all the recommended actions have been carried out the problems persist, contact a  **TRUPER®** Authorized Service Center.

A series of horizontal dotted lines for taking notes, spanning the width of the page.



In the event of any problem contacting a Truper Authorized Service Center, please see our webpage www.truper.com to get an updated list, or call our toll-free numbers **800 690-6990** or **800 018-7873** to get information about the nearest Service Center.

AGUASCALIENTES **DE TODO PARA LA CONSTRUCCIÓN**
GRAL. BARRAGÁN #1201, COL. GREMIAL, C.P. 20050,
AGUASCALIENTES, AGS. TEL.: 449 994 0537

BAJA CALIFORNIA **SUCURSAL TIJUANA**
AV. LA ENCANTADA, LOTE #5, PARQUE INDUSTRIAL EL
FLORIDO II, C.P. 22244, TIJUANA, B.C.
TEL.: 664 969 5100

BAJA CALIFORNIA SUR **FIX FERRETERÍAS**
FELIPE ANGELES ESQ. RUIZ CORTÍNEZ S/N, COL. PUEBLO
NUEVO, C.P. 23670, CD. CONSTITUCIÓN, B.C.S.
TEL.: 615 132 1115

CAMPECHE **TORNILLERÍA Y FERRETERÍA AAA**
AV. ÁLVARO OBREGÓN #524, COL. ESPERANZA
C.P. 24080 CAMPECHE, CAMP. TEL.: 981 815 2808

CHIAPAS **FIX FERRETERÍAS**
AV. CENTRAL SUR #27, COL. CENTRO, C.P. 30700,
TAPACHULA, CHIS. TEL.: 962 118 4083

CHIHUAHUA **SUCURSAL CHIHUAHUA**
AV. SILVESTRE TERRAZAS #128-11, PARQUE INDUSTRIAL
BAFAR, CARRETERA MÉXICO CUAUHTÉMOC, C.P. 31415,
CHIHUAHUA, CHIH. TEL. 614 434 0052

MEXICO CITY **FIX FERRETERÍAS**
EL MONSTRUO DE CORREGIDORA, CORREGIDORA # 22,
COL. CENTRO, C.P. 06060, CUAUHTÉMOC, CDMX.
TEL.: 55 5522 5051 / 5522 4861

COAHUILA **SUCURSAL TORREÓN**
CALLE METAL MECÁNICA #280, PARQUE INDUSTRIAL
ORIENTE, C.P. 27278, TORREÓN, COAH.
TEL.: 871 209 68 23

COLIMA **BOMBAS Y MOTORES BYMTESSA DE MANZANILLO**
BLVD. MIGUEL DE LA MADRID #190, COL. 16 DE
SEPTIEMBRE, C.P. 28239, MANZANILLO, COL.
TEL.: 314 332 1986 / 332 8013

DURANGO **TORNILLOS ÁGUILA, S.A. DE C.V.**
MAZURIO #200, COL. LUIS ECHEVERRÍA, DURANGO,
DGO. TEL.: 618 817 1946 / 618 818 2844

ESTADO DE MÉXICO **SUCURSAL CENTRO JILOTEPEC**
PARQUE INDUSTRIAL 1, PARQUE INDUSTRIAL JILOTEPEC,
JILOTEPEC, EDO. DE MÉX. C.P. 54257, TEL: 761 782 9101
EXT. 5728 Y 5102

GUANAJUATO **CÍA. FERRETERA NUEVO MUNDO S.A. DE C.V.**
AV. MÉXICO - JAPÓN #225, CD. INDUSTRIAL, C.P. 38010,
CELAYA, GTO. TEL.: 461 617 7578 / 79 / 80 / 88

GUERRERO **CENTRO DE SERVICIO ECLIPSE**
CALLE PRINCIPAL MZ.1 LT. 1, COL. SANTA FE, C.P. 39010,
CHILPANCIÑO, GRO. TEL.: 747 478 5793

HIDALGO **FERREPRECIOS S.A. DE C.V.**
LIBERTAD ORIENTE #304 LOCAL 30, INTERIOR DE PASAJE
ROBLEDO, COL. CENTRO, C.P. 43600, TULANCINGO,
HGO. TEL.: 775 753 6615 / 775 753 6616

JALISCO **SUCURSAL GUADALAJARA**
AV. ADOLFO B. HORN # 6800, COL: SANTA CRUZ DEL
VALLE, C.P.: 45655, TLAJOMULCO DE ZUÑIGA, JAL.
TEL.: 33 3606 5285 AL 90

MICHOACÁN **FIX FERRETERÍAS**
AV. PASEO DE LA REPÚBLICA #3140-A, COL.
EX-HACIENDA DE LA HUERTA, C.P. 58050, MORELIA,
MICH. TEL.: 443 534 6858

MORELOS **FIX FERRETERÍAS**
CAPITÁN ANZURES #95, ESQ. JOSÉ PERDIZ, COL.
CENTRO, C.P. 62740, CUAUTLA, MOR.
TEL.: 735 352 8951

NAVARRIT **HERRAMIENTAS DE TEPIC**
MAZATLAN #117, COL. CENTRO, C.P. 63000, TEPIC, NAY.
TEL.: 311 258 0540

NUEVO LEÓN **SUCURSAL MONTERREY**
CARRETERA LAREDO #300, 1B MONTERREY PARKS,
COLONIA PUERTA DE ANÁHUAC, C.P. 66052, ESCOBEDO,
NUEVO LEÓN, TEL.: 81 8352 8791 / 81 8352 8790

OAXACA **FIX FERRETERÍAS**
AV. 20 DE NOVIEMBRE #910, COL. CENTRO, C.P. 68300,
TUXTEPEC, OAX. TEL.: 287 106 3092

PUEBLA **SUCURSAL PUEBLA**
AV. PEFERÍCO #2-A, SAN LORENZO ALMECATLA,
C.P. 72710, CUAUTLACINGO, PUE.
TEL.: 222 282 8282 / 84 / 85 / 86

QUERÉTARO **ARU HERRAMIENTAS S.A DE C.V.**
AV. PUERTO DE VERACRUZ #110, COL. RANCHO DE
ENMEDIO, C.P. 76842, SAN JUAN DEL RÍO, QRO.
TEL.: 427 268 4544

QUINTANA ROO **FIX FERRETERÍAS**
CARRETERA FEDERAL MZ. 46 LT. 3 LOCAL 2, COL. EJIDAL,
C.P. 77710 PLAYA DEL CARMEN, Q.R.
TEL.: 984 267 3140

SAN LUIS POTOSÍ **FIX FERRETERÍAS**
AV. UNIVERSIDAD #1850, COL. EL PASEO, C.P. 78320,
SAN LUIS POTOSÍ, S.L.P. TEL.: 444 822 4341

SINALOA **SUCURSAL CULIACÁN**
AV. JESÚS KUIMATE SUR #4301, COL. HACIENDA DE LA
MORA, C.P. 80143, CULIACÁN, SIN.
TEL.: 667 173 9139 / 173 8400

SONORA **FIX FERRETERÍAS**
CALLE 5 DE FEBRERO #517, SUR LT. 25 MZ. 10, COL.
CENTRO, C.P. 85000, CD. OBREGÓN, SON.
TEL.: 644 413 2392


TABASCO **SUCURSAL VILLAHERMOSA**
CALLE HELIO LOTES 1, 2 Y 3 MZ. #1, COL. INDUSTRIAL,
2A ETAPA, C.P. 86010, VILLAHERMOSA, TAB.
TEL.: 993 553 7244


TAMAULIPAS **VM ORINGS Y REFACCIONES**
CALLE ROSITA #527 ENTRE 20 DE NOVIEMBRE Y GRAL.
RODRÍGUEZ, FRACC. REYNOSA, C.P. 88780, REYNOSA,
TAMS. TEL.: 899 926 7552

TLAXCALA **SERVICIOS Y HERRAMIENTAS INDUSTRIALES**
PABLO SIDAR #132, COL. -BARRIO DE SAN BARTOLOMÉ,
C.P. 90970, SAN PABLO DEL MONTE, TLAX.
TEL.: 222 271 7502

VERACRUZ **LA CASA DISTRIBUIDORA TRUPER**
BLVD. PRIMAVERA, ESQ. HORTENSIA S/N, COL.
PRIMAVERA, C.P. 93508, POZA RICA, VER.
TEL.: 782 823 8100 / 826 8484

YUCATÁN **SUCURSAL MÉRIDA**
CALLE 33 #600 Y 602, LOCALIDAD ITZINCAB Y Mulsay,
MPIO. UMIÁN, C.P. 97390, MÉRIDA, YUC.
TEL.: 999 912 2451

Code	Model	Brand
13694	SOIN-160	 TRUPER®

This product is guaranteed for 1 year. To make the warranty valid or purchase parts and components you must present the product in Corregidora 22, Col. Centro, Alc. Cuauhtémoc, CDMX C.P. 06060 or at the establishment where you purchased it, or at any Truper® Service Center listed in the annex to the warranty policy and/or in www.truper.com . Transportation costs resulting from compliance of this warranty will be covered by  **TRUPER®**

For questions or comments, call **800-690-6990**. Made in China. Imported by Truper S.A. de C.V. Parque Industrial 1, Parque Industrial Jilotepec, Jilotepec, Edo. de Méx. C.P. 54257

Stamp of the business. Date of purchase:



1
YEAR



1
AÑO

Sello del establecimiento comercial. Fecha de compra:

Este producto está garantizado por 1 año. Para hacer válida la garantía o adquirir piezas y componentes deberá presentar el producto en Corregidora 22, Col. Centro, Alc. Cuauhtémoc, CDMX C.P. 06060 o en el establecimiento donde lo compró, o en algún Centro de Servicio Truper® de los enlistados en el anexo de la póliza de garantía y/o en www.truper.com. Los gastos de transportación que resulten para su cumplimiento serán cubiertos por **TRUPER**. Para dudas o comentarios, llame al **800-690-6990**. Hecho en China. Importado por Truper S.A. de C.V. Parque Industrial 1, Parque Industrial Jilotepec, Jilotepec, Edo. de Méx. C.P. 54257

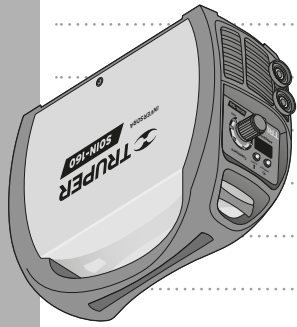
Código	Modelo	Marca
13694	SOIN-160	TRUPER

**Póliza de
Garantía**



En caso de tener algún problema para contactar un Centro de Servicio **Truper®** consulte nuestra página www.truper.com donde obtendrá un listado actualizado, o llame al: **800 690-6990** ó **800 018-7873** donde le informarán cuál es el Centro de Servicio más cercano.

AGUASCALIENTES	DE TODO PARA LA CONSTRUCCIÓN GRAL. BARRAGÁN #1201, COL. CREMALL, C.P. 20030, AGUASCALIENTES, AGS. TEL.: 449 494 0537
BAJA CALIFORNIA	SUCURSAL TIJUANA AV. LA ENCANTADA, LOTE #5, PARQUE INDUSTRIAL EL FLORIDO II, C.P. 22244, TIJUANA, B.C. TEL.: 664 969 5100
BAJA CALIFORNIA SUR	FIX FERRERÍAS FELIPE ANGELES ESQ. RUIZ CORTINEZ S/N, COL. PUEBLO NUEVO, C.P. 23670, CD. CONSTITUCIÓN, B.C.S. TEL.: 615 152 1115
CAMPECHE	TORNILLERÍA Y FERRERÍA AAA AV. ALVARO OBREGÓN #524, COL. ESPERANZA C.P. 24080 CAMPECHE, CAMP. TEL.: 981 815 2808
CHAPAS	FIX FERRERÍAS AV. CENTRAL SUR #27, COL. CENTRO, C.P. 30700, TAPACHULA, CHIS. TEL.: 962 118 4085
CHIHUAHUA	SUCURSAL CHIHUAHUA AV. SILVESTRE TERREZAS #128-1, PARQUE INDUSTRIAL BARR. CARRETERA MEXICO CUAHTEMOC, C.P. 31415, CHIHUAHUA, CHIH. TEL.: 614 434 0052
CIUDAD DE MEXICO	FIX FERRERÍAS EL MONSTRUO DE LA CORRECTORA, CORRECTORA # 22, COL. CENTRO, C.P. 06060, CUAHTEMOC, CMX. TEL.: 55 5522 5051 / 5522 4861
COAHUILA	SUCURSAL TORREÓN CALLE METAL MECÁNICA #280, PARQUE INDUSTRIAL ORIENTE, C.P. 27178, TORREÓN, COAH. TEL.: 817 209 68 75
COLIMA	BOMBAS Y MOTORES BMTESA DE MANZANILLO BLVD. MIGUEL DE LA MADRID #190, COL. 16 DE SEPTIEMBRE, C.P. 28259, MANZANILLO, COL. TEL.: 314 332 1986 / 332 8013
DURANGO	TORNILLAS AGUILA, S.A. DE C.V. MEXURIO #200, COL. LUIS ECHEVERRÍA, DURANGO, DGO. TEL.: 618 817 1946 / 618 818 2844
ESTADO DE MEXICO	SUCURSAL CENTRO JILOTEPEC PARQUE INDUSTRIAL "1, PARQUE INDUSTRIAL JILOTEPEC, JILOTEPEC, EDO. DE MEX. C.P. 54257, TEL.: 761 782 9101 EXT. 5728 Y 5120
GUANAJUATO	CLA FERRERÍA NUEVO MUNDO S.A. DE C.V. AV. MEXICO - JAPON #225, CD. INDUSTRIAL, C.P. 38010, CELAYA, GTO. TEL.: 461 617 7578 / 79 / 80 / 88
GUERRERO	CENTRO DE SERVICIO ECLIPSE CALLE PRINCIPAL MZ.1 LT. 1, COL. SANTA FE, C.P. 59010, CHILPANCIANGO, GRO. TEL.: 747 478 5793
HIDALGO	SUCURSAL S.A. DE C.V. LIBERTAD ORIENTE #504 LOCAL 30, INTERIOR DE PASADAJE ROBELO, C.P. CENTRO, C.P. 43600, TULANCIANGO, HGO. TEL.: 775 755 6615 / 775 755 6616
JALISCO	SUCURSAL GUADALAJARA AV. ADOLFO B. HORN # 6800, COL. SANTA CRUZ DEL VALLE, C.P.: 45655, TLAJOMULCO DE ZUNIGA, JAL. TEL.: 33 3606 5285 AL 90
MICHOACÁN	FIX FERRERÍA AV. PASO DE LA REPUBLICA #3140-A, COL. EXHACIENDA DE LA HUERTAS, C.P. 58050, MORELIA, MICH. TEL.: 445 534 6858
MORELOS	FIX FERRERÍAS CAPITAN ANZURES #95, ESQ. JOSÉ FERRÍDIZ, COL. CENTRO, C.P. 62740, CUAUTLA, MOR. TEL.: 735 552 8931
NAYARIT	HERRAMIENTAS DE TEPIC MAZTLAN #171, COL. CENTRO, C.P. 65000, TEPIC, NAY. TEL.: 311 258 0540
NUevo LEÓN	SUCURSAL MONTERREY CARRETERA LARREDO #500, 1B MONTERREY PARKS, COLONIA PUERTA DE ANÁHUAC, C.P. 66052, ESCOBEDO, NUEVO LEÓN, TEL.: 81 8552 8791 / 81 8552 8790
OAXACA	FIX FERRERÍAS AV. 20 DE NOVIEMBRE #910, COL. CENTRO, C.P. 68300, TUXTEPEC, OAX. TEL.: 287 106 5092
PUEBLA	SUCURSAL PUEBLA AV. PERIFÉRICO #2-A, SAN LORENZO ALMECATLA, C.P. 72710, CUAUTLA CIENAGA, PUE. TEL.: 222 282 8282 / 84 / 85 / 86
QUERÉTARO	RAU HERRAMIENTAS S.A. DE C.V. AV. PUERTO DE VERACRUZ #110, COL. RANCHO DE ENMEDIO, C.P. 75842, SAN JUAN DEL RÍO, QRO. TEL.: 427 268 4544
QUINTANA ROO	FIX FERRERÍAS CARRETERA FEDERAL MZ. 46 IT. 3 LOCAL 2, COL. EJIDAL, C.P. 77710 PLANA DEL CARMEN, Q.R. TEL.: 984 267 5140
SAN LUIS POTOSÍ	FIX FERRERÍAS AV. UNIVERSIDAD #1850, COL. EL PASO, C.P. 78320, SAN JUAN POTOSÍ, S.L.P. TEL.: 444 822 4341
SINALOA	SUCURSAL CUAJALCÁN AV. JESUS UMANTE SUR #4301, COL. HACIENDA DE LA MORA, C.P. 80143, CUAJALCÁN, SIN. TEL.: 667 173 9159 / 173 8400
SONORA	FIX FERRERÍAS CALLE 5 DE FEBRERO #517, SUR IT. 25 MZ. 10, COL. CENTRO, C.P. 85000, CD. OBREGÓN, SON. TEL.: 644 413 2592
TABASCO	SUCURSAL VILLAHERMOSA CALLE HELIO LOTE 1, 2 Y 3 MZ. #1, COL. INDUSTRIAL, ZA ETAPA, C.P. 86010, VILLAHERMOSA, TAB. TEL.: 995 555 7244
TAMAULIPAS	VM ORINOS Y REPARACIONES CALLE ROSITA #227 ENTRE 20 DE NOVIEMBRE Y GRAL. RODRÍGUEZ, FRACC. REYNOSA, C.P. 88780, REYNOSA, TAMS. TEL.: 899 926 7552
TLAXCALA	SERVICIOS Y HERRAMIENTAS INDUSTRIALES PABLO SIDAR #132, COL. BARRIO DE SAN BARTOLOMÉ, C.P. 90970, SAN PABLO DEL MONTE, TLAX. TEL.: 222 271 5202
VERACRUZ	LA CASA DISTRIBUIDORA TRUPER BLVD. PIMAVERA, ESQ. HORTENSIA S/N, COL. PRIMAVERA, C.P. 93508, SAN RICA, VER. TEL.: 782 823 8100 / 826 8484
YUCATÁN	SUCURSAL MÉRIDA CALLE 53 #600 Y 602, LOCALIDAD ITZINCAB Y MULLSAY, MPIO. UUMÁN, C.P. 93590, MÉRIDA, YUC. TEL.: 999 912 2451



A series of horizontal dotted lines for writing notes, spanning the width of the page.

Problema

Causa

Solución

La luz de protección térmica está encendida.

- La soldadora no cuenta con ventilación adecuada.
- Temperatura ambiente muy alta.

La soldadora se utilizó por más tiempo del recomendado en su ciclo de trabajo.

- La soldadora se recuperará una vez que la temperatura regrese al rango adecuado para operar.
- La soldadora se recuperará una vez que la temperatura regrese al rango adecuado para operar.

El control de ajuste de corriente no funciona.

- El potenciómetro está roto.

El ventilador no funciona o gira muy lentamente.

- Interruptor descompuesto.
- Ventilador descompuesto.

No hay tensión de circuito abierto.

- Tensión alta, tensión baja o falta una fase.
- La soldadora se está sobrecalentando.
- Interruptor descompuesto.

La soldadora se recuperará una vez que la temperatura regrese al rango adecuado para operar.

- Acuda a un Centro de Servicio Autorizado TRUPER para reemplazar el interruptor.
- Acuda a un Centro de Servicio Autorizado TRUPER para reparar el ventilador.
- Revise las conexiones.

El porta electrodo se calienta demasado, las conexiones + y - se calientan.

- La capacidad del porta electrodo es muy baja.
- La medida del cable es muy pequeña.
- Conexiones flojas.

La fuente de energía se corta.

- La soldadora se ha sobrecalentado.
- No hay falla. Es normal que el suministro de energía se corte cuando la soldadora sobrepasa su temperatura normal de trabajo. Espere a que la temperatura regrese a un rango adecuado de trabajo para poder encenderla de nuevo.

Si los problemas persisten a pesar de realizar las acciones correctivas recomendadas, contacte a un Centro de Servicio Autorizado **TRUPER**.

Corriente directa	
Soldadura manual por arco eléctrico con electrodo revestido	
Soldadura de metal inerte y gas activo incluyendo el uso de núcleo fundente	
Circuito de entrada, símbolo para corriente alterna monofásica y frecuencia nominal	
Símbolo del ciclo de trabajo (factor de servicio)	x
Símbolo de la corriente de la soldadura nominal	I_2
Símbolo de la tensión de carga convencional	U_2
Tensión nominal de circuito abierto	$U_0 \dots V$
Tensión nominal de alimentación	$U_1 \dots V$
Corriente nominal máxima de alimentación	$I_1 \text{ max} \dots A$
Corriente de alimentación máxima efectiva	$I_1 \text{ eff} \dots A$
Grado de protección (objetos sólidos e ingreso al agua)	IP
Convertidor - transformador - rectificador monofásico de frecuencia estática	
Símbolo de corriente alterna	\sim
Soldadura manual por arco eléctrico con electrodos revestidos	SMAW
Sistema de soldadura al arco con protección gaseosa	TIG
Soldadura por gas inerte de metal	MIG
Soldadura con gas inerte de tungsteno	

Simbología

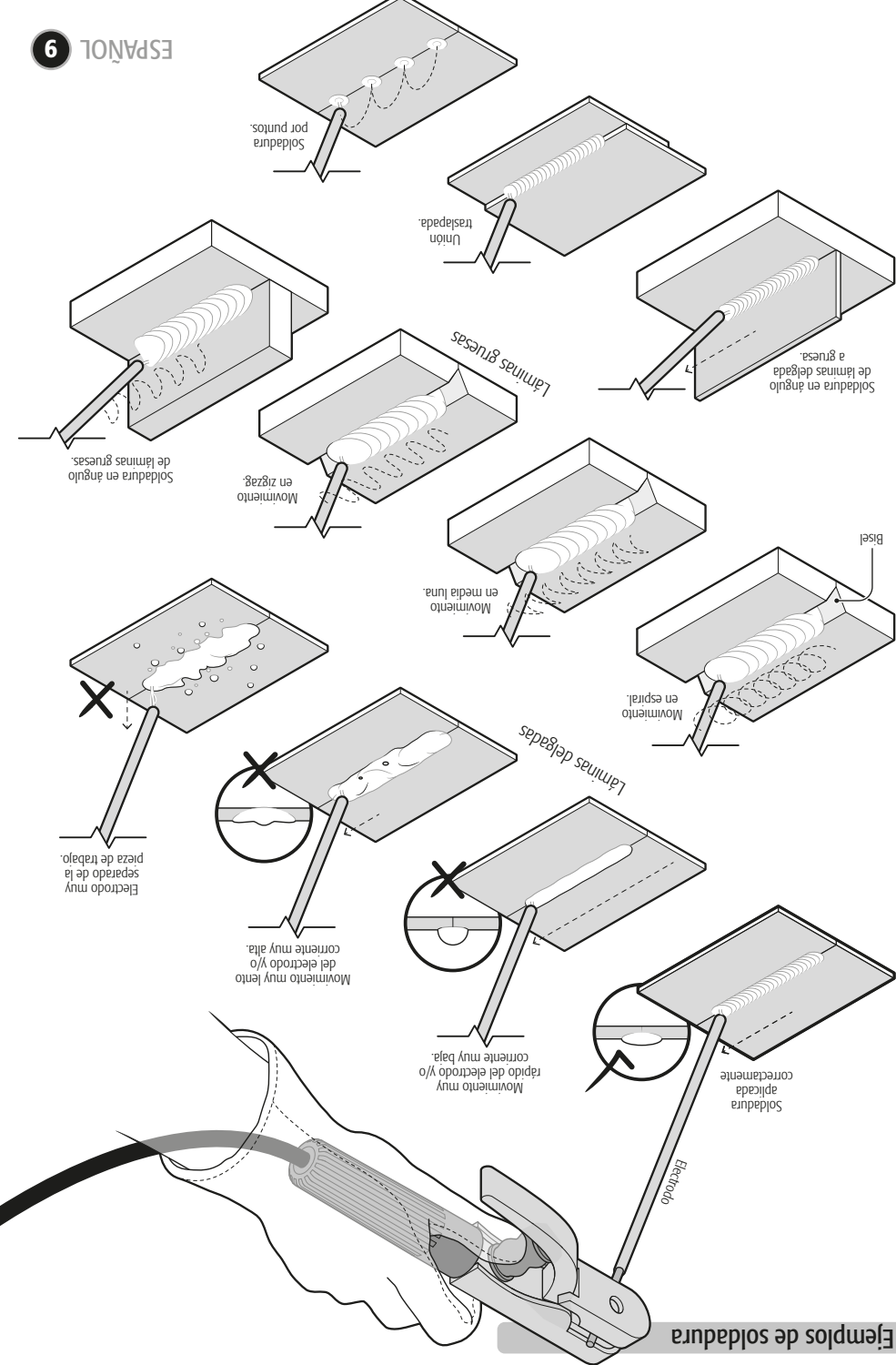
- El técnico de servicio debe limpiar el polvo de la soldadora con aire comprimido. En caso haber mucho polvo, se debe limpiar de inmediato. Bajo condiciones normales se requiere limpieza una vez al año, en caso de que la soldadora esté expuesta a mucho polvo, la limpieza debe realizarse cada tres meses.
- Junto con la limpieza se debe realizar una revisión para asegurar que no haya partes o componentes sueltos en la soldadora.
- Mantenga la clavija del cable de la soldadora en buen estado.
- La clavija debe revisarse antes de cada uso.
- En caso que la soldadora vaya a estar almacenada por un periodo largo de tiempo, se debe mantener en un sitio seco y bien ventilado para evitar que le entre humedad, se almacene óxido o gases tóxicos. La temperatura de almacenaje varía de -25 °C a 55 °C, y la humedad relativa no debe ser superior a 90%.

Mantenimiento regular

- El uso correcto y una limpieza regular prolongan la vida útil de la soldadora.
- **¡ATENCIÓN!** Solo personal calificado debe hacer las reparaciones. Se recomienda visitar un Centro de Servicio Autorizado **TRUPER** para reparar la soldadora, adquirir suministros o accesorios.

Mantenimiento





Ejemplos de soldadura

Preparativos

- Solo con experiencia, práctica y cuidado se puede garantizar un buen trabajo de soldadura.
- Los factores que intervienen en el proceso de soldadura son muchos: corriente requerida, distancia entre el electrodo y la pieza de trabajo, velocidad y dirección de soldado, grosor y tipo del material, posición de la pieza de trabajo, ángulo del electrodo y además el calibre, material y recubrimiento del electrodo. Por lo que es recomendable que antes de realizar una soldadura realice prácticas en requerimientos específicos del trabajo a realizar.
- El área de las piezas de trabajo donde será aplicada la soldadura debe de estar limpia, libre de óxido y pintura.
- Las uniones entre láminas con calibres mayores de 3 mm (1/8"), deben de ser biseladas para que la soldadura sea adecuada (A).

Soldadura

- Coloque el interruptor (B) en posición de encendido (I); la luz indicadora de energía se encenderá.
- Gire el control de ajuste de corriente (C) hasta alcanzar el amperaje requerido para el trabajo.
- Sostenga el porta electrodo de la manera más cómoda posible. Tome en cuenta que durante el proceso de soldado, el ángulo, movimiento y distancia con respecto a la pieza de trabajo deben de ser constantes y uniformes.
- Dirija la punta del electrodo hacia la unión a trabajar para generar el arco eléctrico y comience a soldar.
- Una vez que el arco encendido comience a soldar, mantenga siempre la punta del electrodo a 2 mm de la pieza de trabajo. Si realiza la soldadura con el electrodo apoyado en la pieza de trabajo podrá adherirse y la soldadura será de mala calidad.
- En caso de sobrecalentamiento la soldadora deja de funcionar y la luz indicadora de protección térmica (D) se enciende, no apague la soldadora y espere a que la luz indicadora se apague para volverla a utilizar.

Retiro de escoria

- Al terminar el trabajo de soldado, utilice el cepillo de alambre incluido para retirar la escoria de la superficie del cordón de soldado.
- **¡ATENCIÓN!** Espere a que la escoria se haya endurecido para poder retirarla.
- Al golpear o cepillar la escoria para retirarla, pueden salir partículas despididas. Utilice protección para los ojos y mantenga a las personas alejadas.

Reemplazo de electrodo

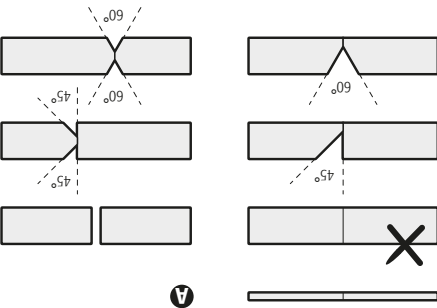
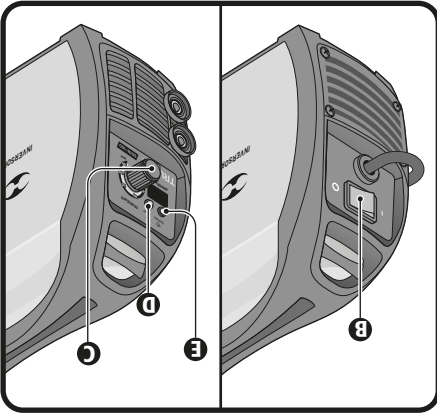
- Cuando el electrodo se ha consumido de 1 cm a 2 cm del porta electrodo, es necesario cambiarlo por uno nuevo para poder seguir soldando.
- **¡ATENCIÓN!** El electrodo se quema a alta temperatura. No intente manipular los restos del electrodo con la mano. Ponga los restos en un contenedor de metal.
- Abra la tenaza del porta electrodo para sostener el electrodo nuevo por el extremo sin recubrimiento. No sostenga el electrodo por la parte recubierta.

Consumible

Tipo: 7018
Diámetro: 3/32" (2.5 mm), 1/8" (3 mm), 5/32" (4 mm)

Tipo: 6013 / 6011
Diámetro: 3/32" (2.5 mm), 1/8" (3 mm), 5/32" (4 mm)

Para procesos de electrodo revestido (SMAW)



Conexiones

Para evitar descargas eléctricas es necesario consultar la información de la sección "Requisitos eléctricos" en las páginas 3 y 5. Las conexiones rápidas del porta electrodo y la pinza para aterrizaje se insertan y giran un cuarto de vuelta en sentido horario en las salidas del panel frontal para quedar bien aseguradas.

Polaridad inversa (A)

- Conecte el cable de la pinza para aterrizaje al borne de salida negativa (-) de la soldadora.
- Conecte la pinza para aterrizaje (C) a la pieza de trabajo.
- Conecte el cable del porta electrodo al borne de salida positiva (+) de la soldadora.

Esta configuración genera más calor en el electrodo, lo que hacen ideal para soldar piezas gruesas.

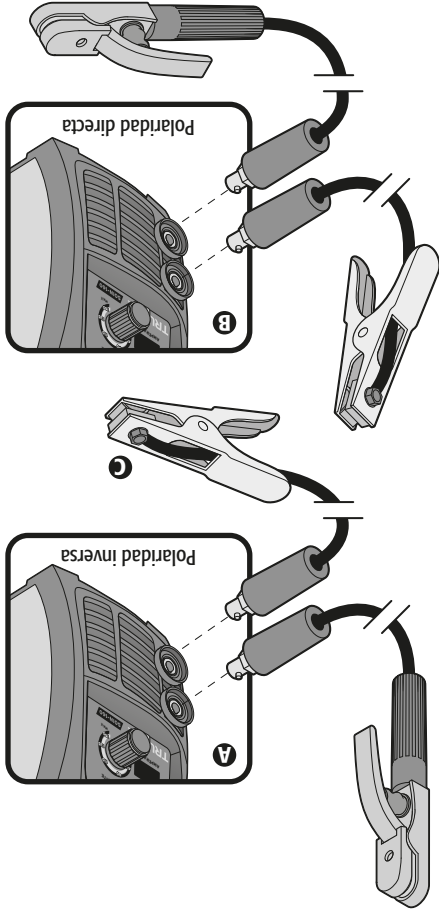
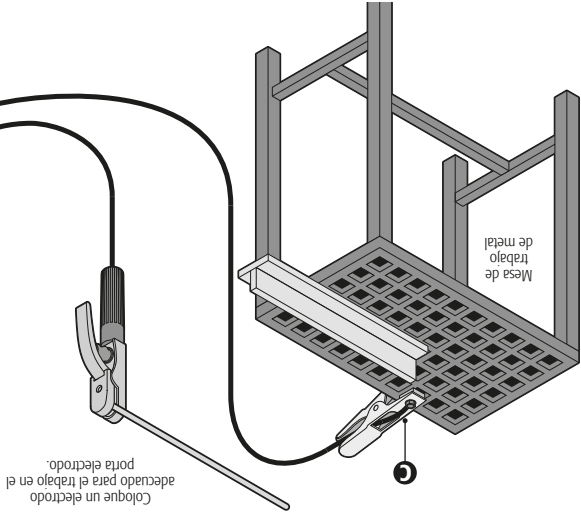
Polaridad directa (B)

- Conecte el cable de la pinza para aterrizaje a la salida (+).
- Conecte la pinza para aterrizaje (C) a la pieza de trabajo.
- Conecte el cable del porta electrodo a la salida (-).

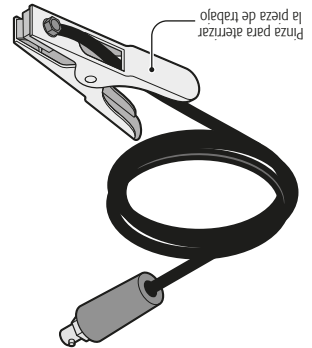
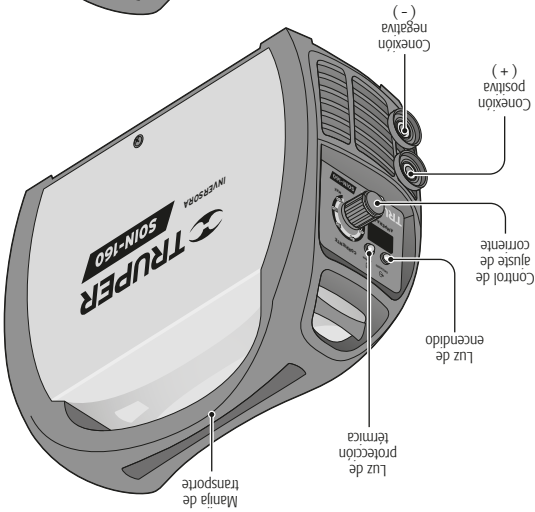
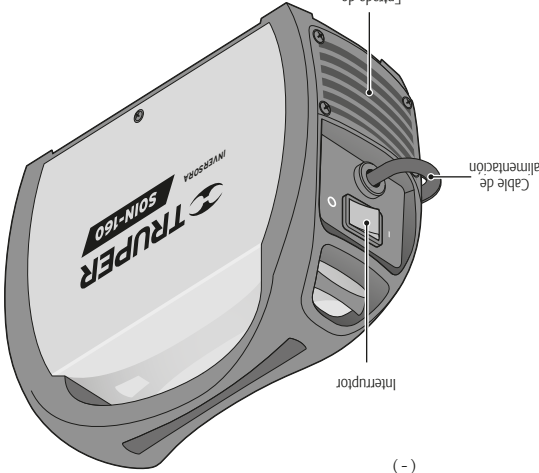
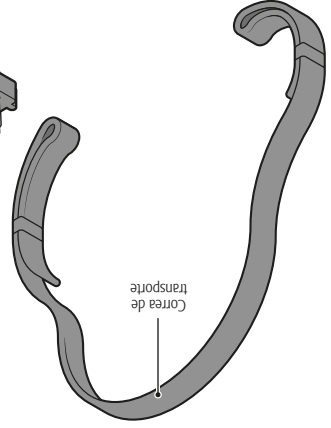
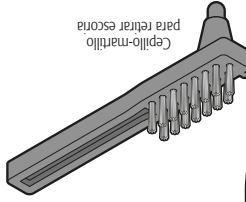
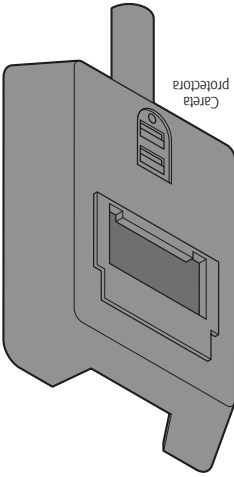
Esta configuración genera más calor en la pieza de trabajo, lo que produce menor deformación de la pieza y cordones más estrechos, que la hacen ideal para soldar piezas delgadas.

- Conecte el cable de alimentación (D) a la red, de alimentación a la tensión correspondiente.

ADVERTENCIA Antes de usar la soldadora debe estar correctamente puesta a tierra. No debe desinstalarse el cable de puesta a tierra ya que hacerlo propicia lesiones corporales de gravedad.



Para mejores resultados utilice juego de cables con pinza para soldar **TRUPER** marca **CAB-200**.



Partes

Advertencias generales de seguridad para herramientas eléctricas

¡ADVERTENCIA! Lea detenidamente todas las advertencias de seguridad y todas las instrucciones que se encuentran en la misión de alguna de ellas para poder dar como resultado un choque eléctrico, incendio y/o daño serio.

Área de trabajo Mantenga el área de trabajo limpia y bien iluminada. Las áreas desordenadas y oscuras son propensas a accidentes.



No maneje la herramienta en ambientes explosivos, como en presencia de líquido, gas o polvo inflamables. Las herramientas eléctricas producen chispas que pueden encender material inflamable.



Mantenga alejados a los niños y curiosos cuando opere la herramienta. Las distracciones pueden hacer que pierda el control.



Seguridad eléctrica La clavija de la herramienta debe coincidir con el tomacorriente adaptador para clavijas de herramientas puestas a tierra. Nunca modifique una clavija. No use ningún tipo de clavijas modificadas y enchufes diferentes aumentan el riesgo de choque eléctrico.



Evite el contacto del cuerpo con superficies puestas a tierra como tuberías, radiadores, cocinas eléctricas y refrigeradores. Hay un mayor riesgo de choque eléctrico si el cuerpo está puesto a tierra. No espere que la herramienta a la cual o condiciones de humedad. El agua que ingresa en la herramienta aumenta el riesgo de choque eléctrico.



No fuerce el cable. Nunca use el cable para transportar, levantar o desconectar la herramienta. Mantenga el cable lejos del calor, aceite, orillas afiladas o piezas en movimiento. Los cables dañados o enrrollados aumentan el riesgo de choque eléctrico. Cuando maneje una herramienta en exteriores, use una extensión especial para uso en exteriores. El uso de una extensión adecuada para exteriores reduce el riesgo de choque eléctrico.



Si el uso de la herramienta en un lugar húmedo es inevitable, use una alimentación protegida por un interruptor de circuito de falla a tierra (GFCI). El uso de un GFCI reduce el riesgo de choque eléctrico.



Seguridad personal Está alerta, vigile lo que está haciendo y use el sentido común cuando maneje una herramienta. No la use si está cansado o bajo la influencia de drogas, alcohol o medicamentos. Un momento de distracción mientras maneja la herramienta puede causar un daño personal. **Use equipo de seguridad. Use siempre protección para los ojos.** El uso de equipo de seguridad como lentes de seguridad, mascarilla antipolvo, zapatos antistáticos, casco y protección para los oídos en condiciones apropiadas, reduce de manera significativa los daños personales.



Evite arranques accidentales. Asegúrese de que el interruptor de alimentación y/o a la batería o transportar la herramienta. Transportar herramientas eléctricas con el dedo sobre el interruptor o "enclavido" puede causar accidentes. Retire cualquier llave o herramienta de ajuste antes de arrancar la herramienta eléctrica. Las llaves o herramientas que quedan en las partes rotativas de la herramienta pueden causar un daño personal.

No opere sin el control de acción. Mantenga ambos pies bien asentados sobre el suelo y conserve el equilibrio en todo momento.

Esto permite un mejor control de la herramienta en situaciones inesperadas. Vista adecuadamente. No vista ropa suelta o joyas. Mantenga su pelo, su ropa y guantes alejados de las piezas en movimiento.



En caso de contar con dispositivos de extracción y recolección de polvo conectados a la herramienta, verifique sus conexiones y úselos correctamente. El uso de estos dispositivos reduce los riesgos relacionados con el polvo.

Uso y cuidados de la herramienta No fuerce la herramienta. Use la herramienta adecuada para el trabajo a realizar. La herramienta adecuada hace un trabajo mejor y más seguro cuando se usa al ritmo para el que fue diseñada.



No use la herramienta si el interruptor no funciona. Cualquier herramienta eléctrica que no pueda encenderse o apagarse es peligrosa y debe repararse antes de ser operada.



Desconecte la herramienta de la fuente de alimentación y/o de la batería antes de efectuar cualquier ajuste, cambiar accesorios o almacenarla. Estas medidas reducen el riesgo de arrancar la herramienta accidentalmente.



Almacene las herramientas fuera del alcance de los niños y no permita su manejo por personas no familiarizadas con las herramientas o con las instrucciones. Las herramientas eléctricas son peligrosas en manos no entrenadas. Dele mantenimiento a la herramienta. Compruebe que las partes móviles no estén desalineadas o trabadas, que no haya piezas rotas u otras condiciones que puedan afectar su operación. Repare cualquier daño antes de usar la herramienta. Muchos accidentes son causados por el escaso mantenimiento de las herramientas.



Mantenga los accesorios de corte afilados y limpios. Trabaje y más fáciles de controlar. Los accesorios de corte en buenas condiciones son menos probables de trabarse y más fáciles de controlar.



Use la herramienta, sus componentes y accesorios de acuerdo con estas instrucciones y de la manera prevista para el tipo de herramienta, en condiciones de trabajo adecuadas. El uso de la herramienta para aplicaciones diferentes para las que está diseñada podría causar una situación de peligro.



Servicio Repare la herramienta en un Centro de Servicio Autorizado TRUPER usando sólo piezas de repuesto idénticas. Para mantener la seguridad de la herramienta.



La máquina no debe de ser utilizada por niños ni por personas con capacidades físicas, sensoriales o mentales reducidas, tampoco por personas sin experiencia o conocimientos en su uso, a menos que estén supervisadas por una persona responsable de su seguridad o reciban instrucciones previas sobre el uso de la máquina. Los niños deben de estar bajo supervisión para asegurarse de que no jueguen con las partes expuestas de cualquier tipo de aparato electrodoméstico o estén cerca de él.



SOIN-160

Código	13694
Descripción	Soldadora inversora

Entrada	
Tensión	220 V ~
Frecuencia	50 Hz / 60 Hz
Corriente	32 A
No. de fases	2 Fases

Salida	
Capacidad nominal de entrada	70 kVA
Tensión de circuito abierto	65 V c.c.
Rango de corriente	20 A - 160 A
Ciclo de trabajo	40% 4 min de trabajo por 6 min de descanso.
Los valores de salida especificada están dados a una temperatura de 20 °C. A temperaturas mayores el ciclo de trabajo puede reducirse.	

Tipo de enfriamiento	Forzado con ventilador
Peso	3,9 kg
Bornes de salida	conector rápido 3/8" (9,5 mm)
Aislamiento	Clase I
Conductores	12 AWG x 3C con temperatura de aislamiento de 105 °C
	Grado IP
	IP21S

El cable de alimentación tiene sujetecables tipo: Y
La clase de construcción de la herramienta es: Aislamiento básico.
La clase de aislamiento térmico de los devanados: Clase H.

ADVERTENCIA Si el cable de alimentación se daña, éste debe ser reemplazado por el fabricante o Centro de Servicio Autorizado **TRUPER**, con el fin de evitar algún riesgo de descarga o accidente considerable.

La construcción del aislamiento eléctrico de esta herramienta es alterado por saipicaduras o derramamiento de líquidos durante su operación. No la exponga a la lluvia, líquidos y/o humedad.

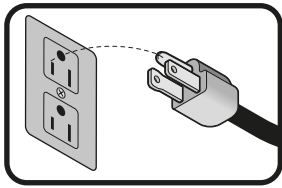
ADVERTENCIA Antes de obtener acceso a las terminales, todos los circuitos de alimentación deben ser desconectados.



Requerimientos eléctricos

ADVERTENCIA En el caso de fallas o averías, la conexión a tierra provee una trayectoria con resistencia mínima para la corriente eléctrica, lo que reduce el riesgo de sufrir una descarga eléctrica. Esta herramienta está equipada con un cable eléctrico que tiene un conductor a tierra y una clavija con conexión a tierra. La clavija debe estar conectada a una entrada que se encuentre instalada y aterrizada de acuerdo con todos los códigos locales.

ADVERTENCIA No modifique la clavija provista. Si la clavija no ajusta a la salida, adquiera la salida apropiada instalada por un electricista calificado.



• Utiliza la soldadora junto a más herramientas con la misma tierra conectadas en paralelo, nunca en serie.

• El calibre del cable conductor de tierra no puede ser de menor calibre que el cable de suministro eléctrico.

ADVERTENCIA La conexión a la fuente de energía debe realizarse por un profesional en electricidad.

ADVERTENCIA Confirme siempre que la tensión de la conexión de entrada, estápudiada en la placa de información de la soldadora, coincida con la tensión del suministro eléctrico.

• El calibre del cable del suministro eléctrico debe cumplir con los siguientes requisitos:



Interruptor	≥ 30 A
Fusible (Corriente nominal de trabajo)	30 A (*)
Alambre eléctrico	≥ 2,5 mm ²

* La corriente de fusión del fusible es el doble de su corriente nominal.

• En caso de requerir extensiones entre la soldadora y la pieza de trabajo se debe aumentar el calibre del cable de soldar para mantener la salida de energía de la soldadora con una caída potencial no mayor a 4 V

Recomendaciones de uso y cuidados

THERMAL PROTECT
 Cuando la máquina se SOBRECALIENTA, se activará el protector térmico, apagando la soldadora y encendiendo la luz LED de ALARMA.
 Deje enfriar la soldadora por 15 minutos y vuelva a encenderla.

Se recomienda utilizar una extensión calibre 12 AWG (3,31 mm²) y conectar en un CENTRO DE CARGA INDEPENDIENTE

Realice **MANTENIMIENTO** periódico a su máquina (página 10).

- 3 Especificaciones técnicas
- 3 Requerimientos eléctricos
- 4 Advertencias generales de seguridad para herramientas eléctricas
- 5 Advertencias de Seguridad para uso de soldadoras inversoras
- 6 Partes
- 7 Instalación
- 8 Puesta en marcha
- 10 Mantenimiento
- 10 Simbología
- 11 Solución de problemas
- 12 Notas
- 13 Centros de Servicio Autorizados
- 14 Póliza de Garantía

ATENCIÓN

Para poder sacar el máximo provecho de la herramienta, alargar su vida útil, hacer válida la garantía en caso de ser necesario y evitar riesgos o lesiones graves, es fundamental leer este instructivo por completo antes de usar la herramienta.

Guarde este instructivo para futuras referencias.

Los gráficos de este instructivo son para referencia, pueden variar del aspecto real de la herramienta.

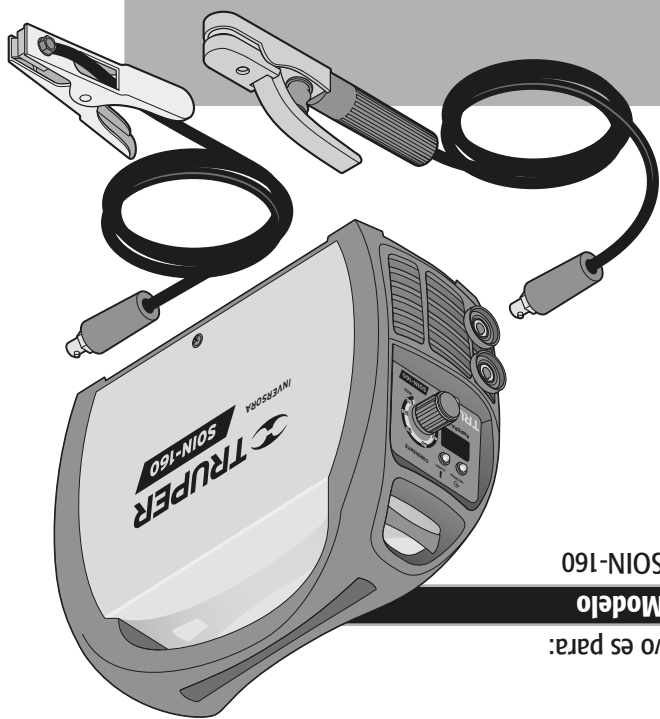


Lea este instructivo por completo antes de usar la herramienta.



ATENCIÓN

SOIN-160



Este instructivo es para:
Código 13694
Modelo SOIN-160

Instructivo de
**Soldadoras
Inversoras**

40%
Ciclo de trabajo

TRUPER

ESPAÑOL
ENGLISH