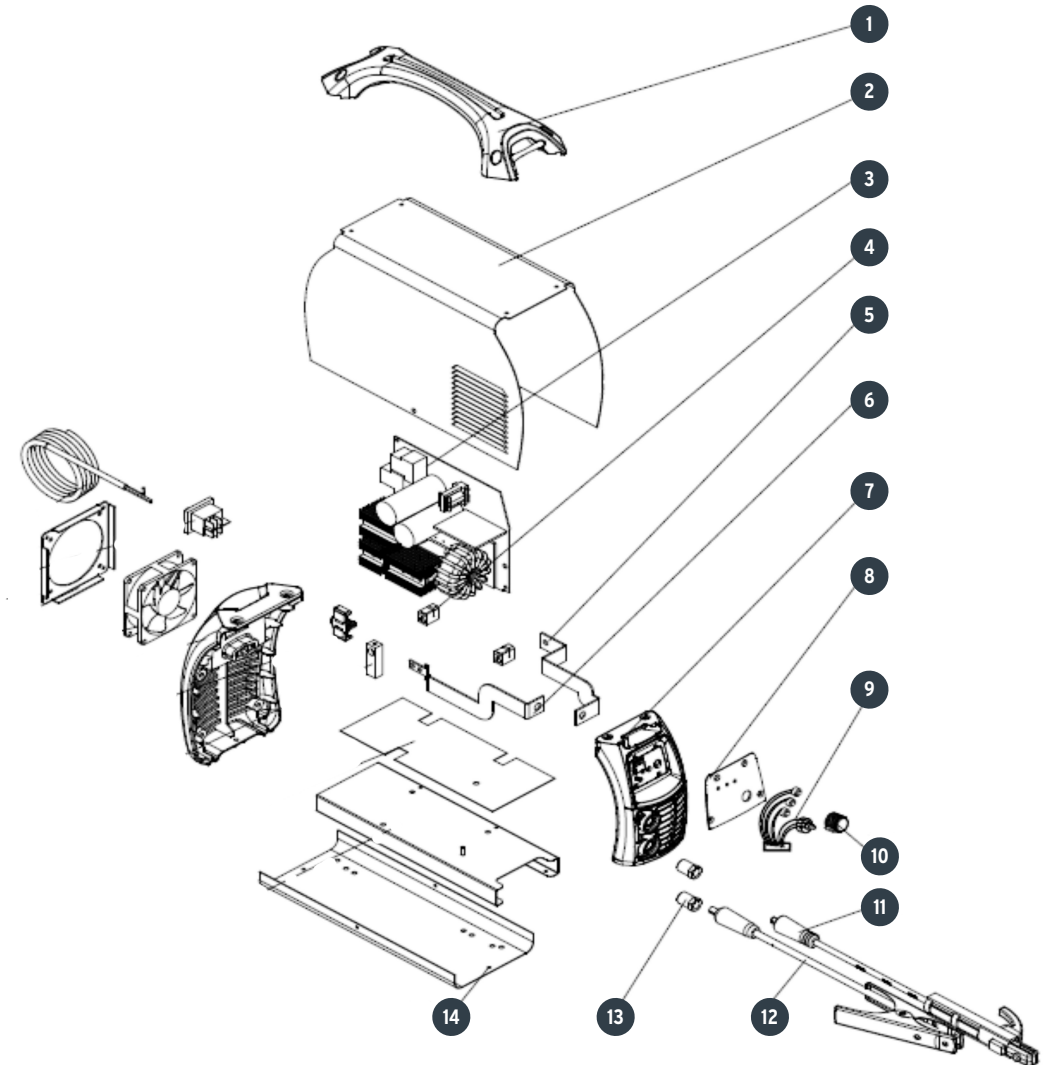


A

No.	Código	Clave	Descripción
1	944549	R1-SOIN-110/130	Manija
1.1	944550	R1.1-SOIN-110/130	Tornillo ST4x13
1.2	944551	R1.2-SOIN-110/130	Arandela Ø 4.5
2	944552	R2-SOIN-110/130	Caja
2.1	944553	R2.1-SOIN-110/130	Tornillo ST4x9
2.2	944554	R2.2-SOIN-110/130	Tornillo M4x12
2.3	944555	R2.3-SOIN-110/130	Arandela de seguridad Ø4
3	944556	R3-SOIN-110/130	Tarjeta principal
4	944557	R4-SOIN-110/130	Soporte placa principal
4.1	944558	R4.1-SOIN-110/130	Tornillo M3x14
5	944559	R5-SOIN-110/130	Barra colectora negativa
6	944560	R6-SOIN-110/130	Barra colectora positiva
7	944561	R7-SOIN-110/130	Panel frontal
8	944562	R8-SOIN-110/130	Caratula
9	944563	R9-SOIN-110/130	Potenciómetro con LED
9.1	944564	R9.1-SOIN-110/130	Tornillo M5x16
10	944565	R10-SOIN-110/130	Perilla
11	944566	R11-SOIN-110/130	Cable con maneral
12	944567	R12-SOIN-110/130	Cable de tierra
13	944568	R13-SOIN-110/130	Conector rápido
14	944569	R14-SOIN-110/130	Placa inferior
14.1	944570	R14.1-SOIN-110/130	Tornillo ST4x14

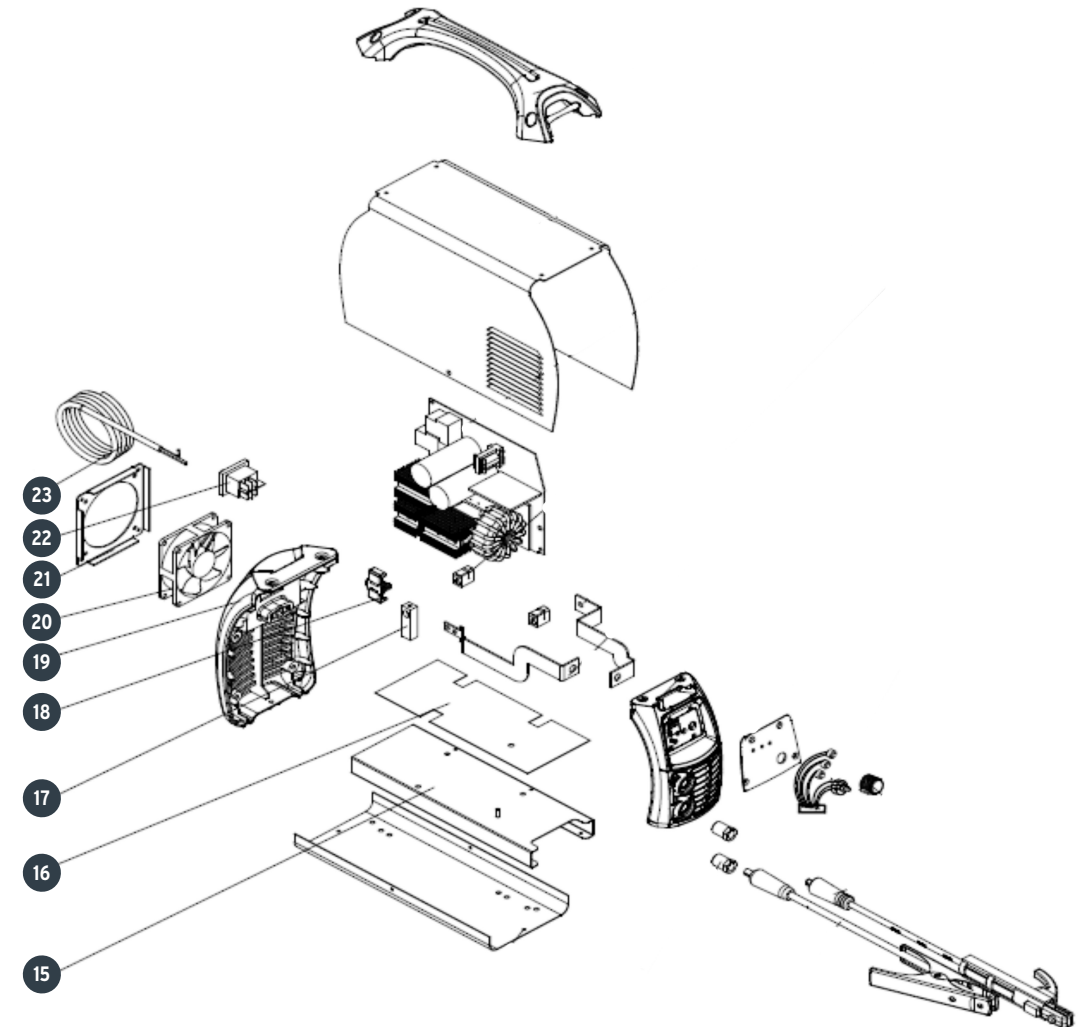


A



B

No.	Código	Clave	Descripción
14.2	944571	R14.2-SOIN-110/130	Arandela Ø4
14.3	944572	R14.3-SOIN-110/130	Tornillo ST5x9
15	944573	R15-SOIN-110/130	Placa muerta principal
15.1	944574	R15.1-SOIN-110/130	Tornillo ST4x9
16	944575	R16-SOIN-110/130	Placa de aislamiento
17	944576	R17-SOIN-110/130	Soporte
18	944577	R18-SOIN-110/130	Placa de soporte de radiador
19	944578	R19-SOIN-110/130	Panel trasero
19.1	944579	R19.1-SOIN-110/130	Tornillo ST5x13
20	944580	R20-SOIN-110/130	Ventilador
21	944581	R21-SOIN-110/130	Marco de ventilador
21.1	944582	R21.1-SOIN-110/130	Tornillo ST5x10
22	944583	R22-SOIN-110/130	Interruptor
23	944584	R23-SOIN-110/130	Cable de alimentación



B

